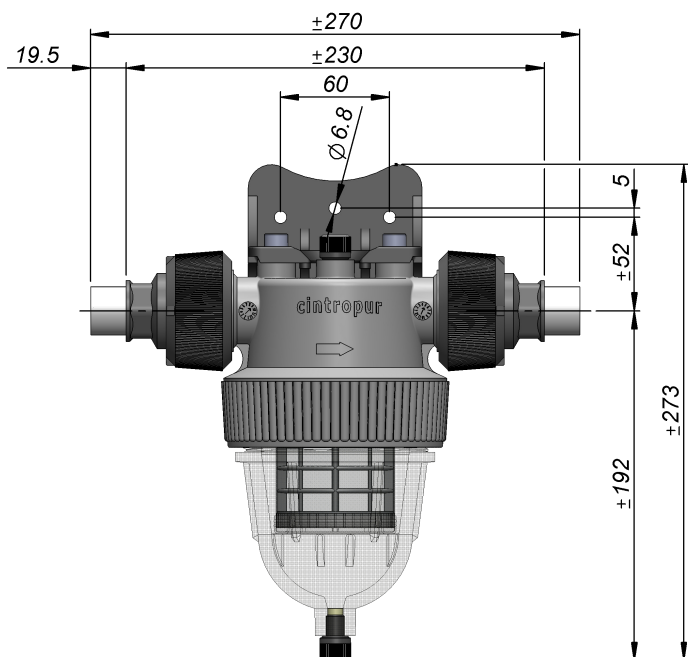
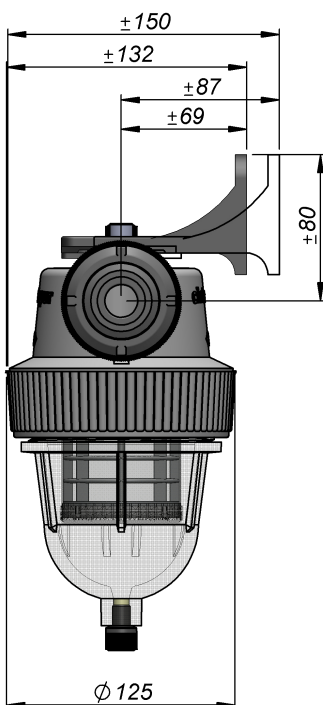


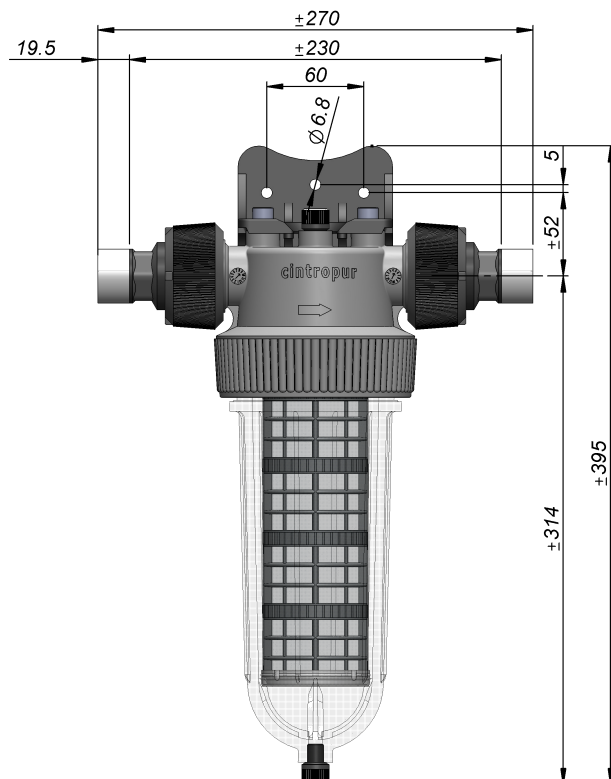
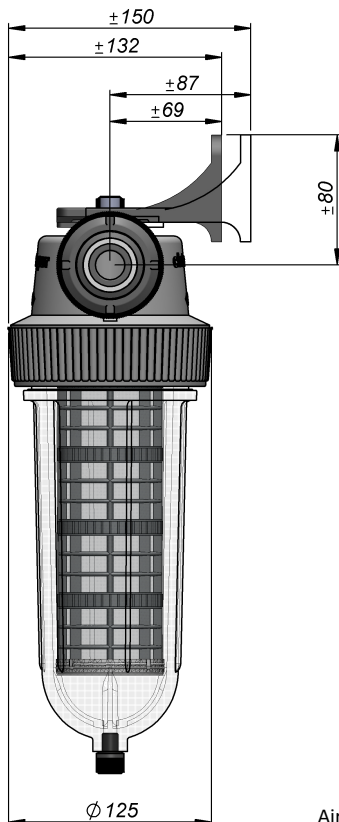


Filter type:	<b>NW18</b>
Connection diameter:	3/4"
Average flow rate (m³/h):	3,5 at ΔP 0,2 bar
Working pressure (bar):	10
Max. operating pressure (bar):	16
Max. operating temperature (°C):	50
Weight (kg):	1,1 / 1,5 (with packaging)
Packaging in mm (L x W x H):	260 x 193 x 183
Quantity / pallet (units):	96
Filter head:	Polypropylene (PP) + 20% GF
Bowl:	SAN
Filtering support:	PP + 20 % GF
Seals:	O-ring butadiene-acrylonitrile (NBR)
Centrifugal vane + cap:	Polyethylene (PE)
Drain screw:	Polyamide (PA) + polyester (2K)
Wrench:	ABS
Filtering sleeve:	Polyester
Filtration surface (cm²):	190
Original equipment:	Filtering sleeve 25 µm, wrench+ 2 connections 3/4"
Options:	Wall fixation in PP + 30% GF, drain-cock 1/4" made of nickel-plated brass and pressure gauges 1/8" made of brass
Filtering fineness available (µm): (packs of 5 sleeves)	Non-washable : 5 - 10 - 25 - 50 - 100



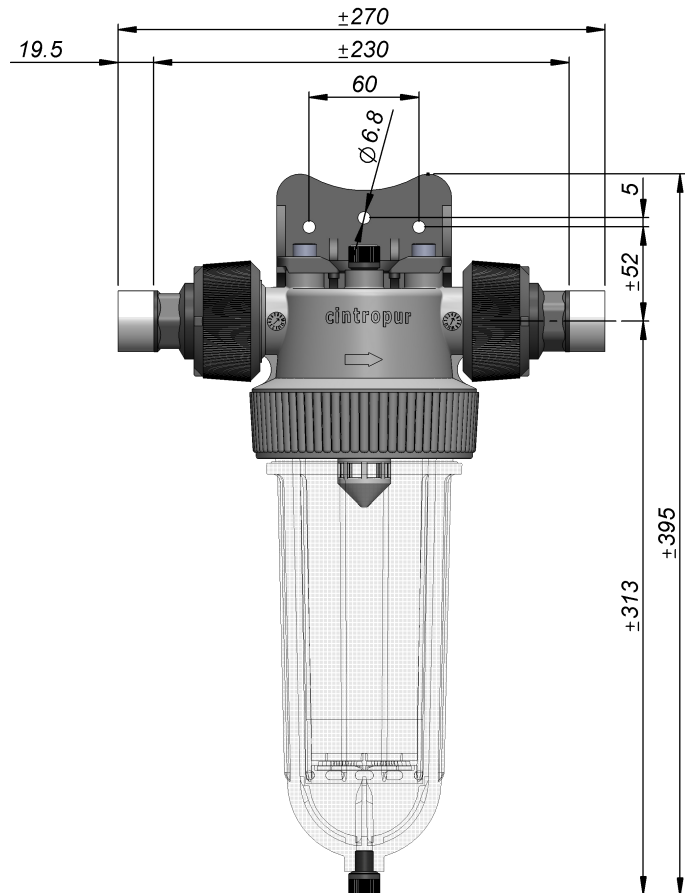
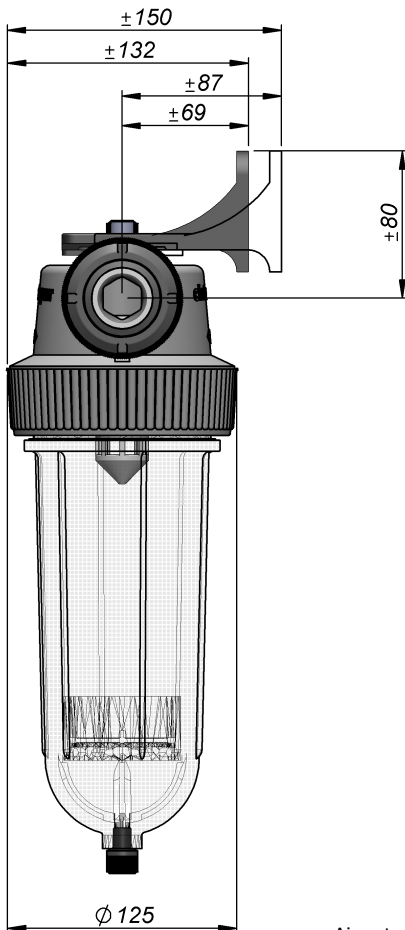


Filter type:	<b>NW25</b>
Connection diameter:	¾" or 1"
Average flow rate (m³/h):	5,5 at ΔP 0,2 bar
Working pressure (bar):	10
Max. operating pressure (bar):	16
Max. operating temperature (°C):	50
Weight (kg):	1,23 / 1,65 (with packaging)
Packaging in mm (L x W x H):	385 x 160 x 140
Quantity / pallet (units):	112
Filter head:	Polypropylene (PP) + 20% GF
Bowl:	SAN
Wrench:	ABS
Seals:	O-ring butadiene-acrylonitrile (NBR)
Centrifugal vane + cap:	Polyethylene (PE)
Drain screw:	Polyamide (PA) + Polyester (2K)
Filtering support:	PP + 20% GF
Filtering sleeve:	Polyester (non-washable) or nylon (washable)
Filtration surface (cm²):	450
Original equipment:	Filtering sleeve 25 µm, wrench, 2 connections ¾" or 1"
Options:	Wall fixation in PP + 30% GF, drain-cock ¼" made of nickel-plated brass and pressure gauges 1/8" made of brass
Filtering fineness available (µm):	Non-washable : 1 - 5 - 10 - 25 - 50 - 100
(packs of 5 sleeves)	Washable : 150 - 300



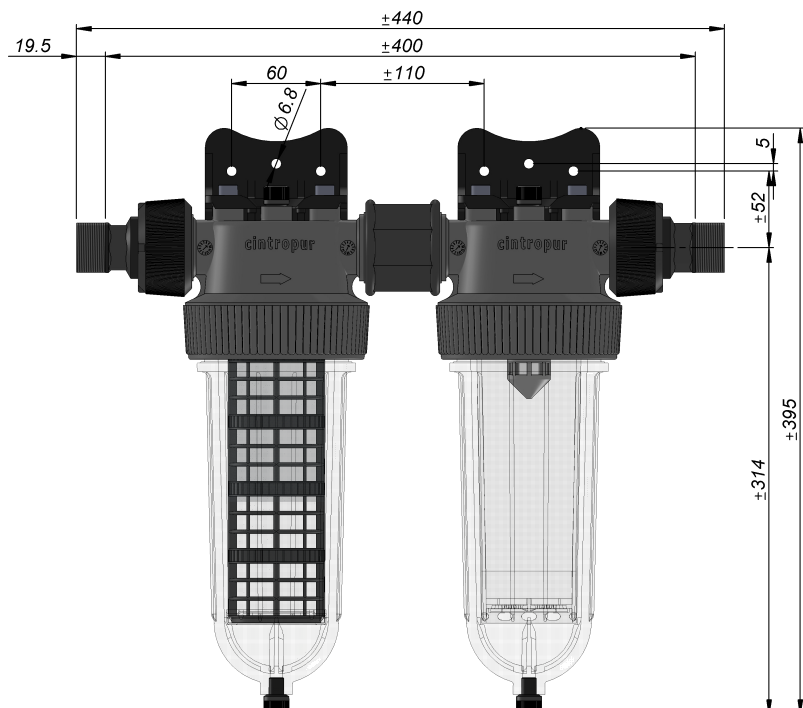
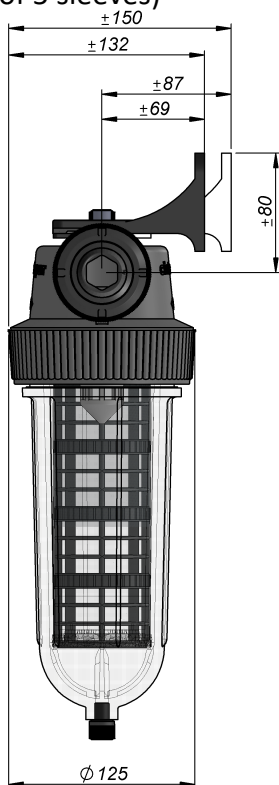


Filter type:	<b>NW25 TE-CTN</b>
Connection diameter:	1"
Average flow rate (m³/h):	0,5 at ΔP 0,2 bar
Working pressure (bar):	10
Max. operating pressure (bar):	16
Max. operating temperature (°C):	50
Weight (kg):	1,3 / 1,8 (with packaging)
Packaging in mm (L x W x H):	385 x 160 x 140
Quantity / pallet (units):	112
Filter head:	Polypropylene (PP) + 20% GF
Bowl:	SAN
Wrench:	ABS
Seals:	O-ring butadiene-acrylonitrile (NBR)
Drain screw:	Polyamide (PA) + Polyester (2K)
CTN container capacity (litres):	0,57
CTN container for activated carbon:	SAN (body) 0,6 mm + PP with 20% GF (cap) 0,3mm
Original equipment:	empty CTN + wrench + 2 connections 1"
Option:	Wall fixation in PP + 30% GF

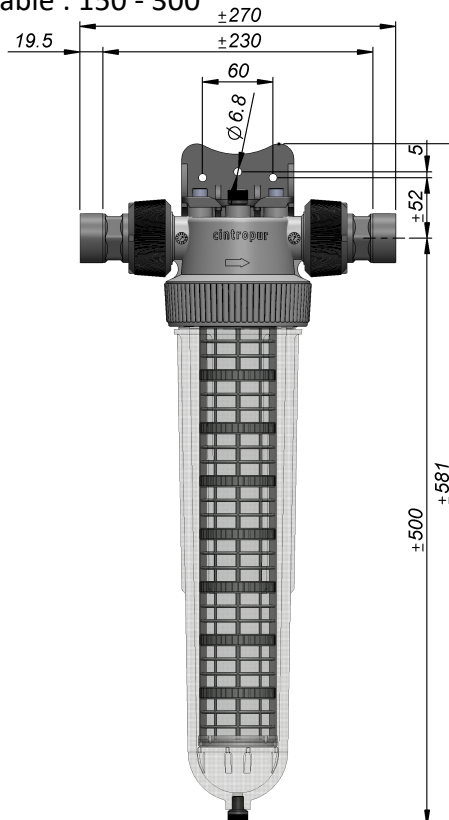
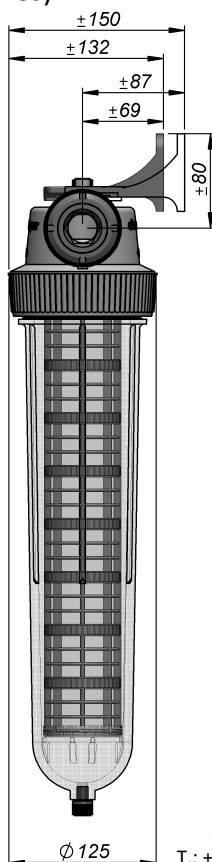




Filter type:	<b>NW25 DUO-CTN</b>
Connection diameter:	¾" and 1"
Average flow rate(m³/h):	0,5 at ΔP 0,2 bar
Working pressure (bar):	10
Max. operating pressure (bar):	16
Max. operating temperature (°C):	50
Weight (kg):	3,2 / 3,7 (with packaging)
Packaging in mm (L x W x H):	380 x 330 x 135
Quantity / pallet (units):	54
Filter head:	Polypropylene (PP) + 20% GF
Bowl:	SAN
Wrench:	ABS
Seals:	O-ring butadiene-acrylonitrile (NBR)
Centrifugal vane + cap:	Polyethylene (PE)
Drain screw:	Polyamide (PA) + Polyester (2K)
Filtering support:	PP + 20% GF
Filtering sleeve:	Polyester (non-washable) or nylon (washable)
CTN container for activated carbon:	SAN (body) 0,6 mm + PP with 20% GF (cap) 0,3mm
Filtration surface / capacity:	440 cm² with sleeve + 0,57 L activated carbon
Original equipment:	Sleeve 25 µm, CTN filled with activated carbon, 1 wrench, 2 wall fixations PP + 30% GF + 2 connections ¾" + 2 connections 1" drain-cock ¼" made of nickel-plated brass, pressure gauges 1/8" made of brass
Options:	
Filtering fineness available (µm):	Non-washable : 1 - 5 - 10 - 25 - 50 - 100
(packs of 5 sleeves)	Washable : 150 - 300



Filter type:	<b>NW32</b>
Connection diameter:	1 ¼"
Average flow rate (m³/h):	6,5 at ΔP 0,2 bar
Working pressure (bar):	10
Max. operating pressure (bar):	16
Max. operating temperature (°C):	50
Weight (kg):	2,1 / 2,3 (with packaging)
Packaging in mm (L x W x H):	560 x 165 x 140
Quantity / pallet (units):	64
Filter head:	Polypropylene (PP) + 20% GF
Bowl:	SAN
Wrench:	ABS
Filtering support:	PP + 20% GF
Seals:	O-ring butadiene-acrylonitrile (NBR)
Centrifugal vane + cap:	Polyethylene (PE)
Drain screw:	Polyamide (PA) + Polyester (2K)
Filtering sleeve:	Polyester (non-washable) or nylon (washable)
Filtration surface (cm²):	840
Original equipment:	Filtering sleeve 25 µm, wrench, 2 connections 1 ¼"
Options:	Wall fixation in PP + 30% GF, drain-cock ¼" made of nickel-plated brass, pressure gauges 1/8" made of brass
Filtering fineness available (µm):	Non-washable : 1 - 5 - 10 - 25 - 50 - 100
(packs of 5 sleeves)	Washable : 150 - 300



Filter type:	<b>NW32TE</b>
Connection diameter:	1 ¼"
Average flow rate (m³/h):	0,5 at ΔP 0,2 bar
Working pressure (bar):	10
Max. operating pressure (bar):	16
Max. operating temperature (°C):	50
Weight (kg):	2,1 / 2,4 (with packaging)
Packaging in mm (L x W x H):	560 x 165 x 140
Quantity / pallet (units):	64
Filter head:	Polypropylene (PP) + 20% GF
Bowl:	SAN
Wrench:	ABS
Seals:	O-ring butadiene-acrylonitrile (NBR)
Drain screw:	Polyamide (PA) + Polyester (2K)
Bowl capacity (litres):	1,7
Tube + strainer:	Stainless steel sheet – inlet 1,1 mm & strainer – inlet 0,3 mm
Original equipment:	Tube + strainer, wrench + 2 connections 1 ¼"
Option:	Wall fixation in PP + 30% GF

