



ADVANCED SETTINGS



Risk of damaging the pressure assemblies and/or the plant.



Risk by electric shock.



Risk for people and/or objects.



1. GENERAL

Read carefully the instructions before installing this unit. Verify the technical characteristics of the motor in order to assure the compatibility with the device.

2. DESCRIPTION (diagram A)

SWITCHMATIC 2T is an electronic pressure switch with integrated digital manometer. It manages the start and stop of a three-phase pump up to 4kW (5,5 HP). Cut-in and cut-out pressures are easily adjustable through the users control panel.

Wiring is analogous to the traditional electromechanical switch.

It can operate as a differential pressure switch and as reverse pressure switch.

Unit SWITCHMATIC 2T in addition to all the features of the basic SWITCHMATIC includes instantaneous reading of current drawn. This patented system controls and manages the overcurrent, dry-run operation and fast-cycling.

Unit SWITCHMATIC 2T in addition to all the features of individual assembly includes the option to be synchronized to another unit SWITCHMATIC 2T managing and protecting 2 pumps operating in cascade with alternated starting sequence.


3. OPERATING CHARACTERISTICS

- Adjustable cut-in and cut-out pressures.
- Integrated digital pressure gauge with bar and psi indication.
- Inner pressure transmitter.
- Dry-run protection: through the instantaneous current consumption in case of.
- Overload protection.
- Overvoltage protection.
- Undervoltage protection.
- Short-circuit and phase-loss protection.
- ART Function (Automatic Reset Test). When the device has stopped the pump by the intervention of the dry-running protection system, the ART tries, with scheduled basis, to re-start the pump in order to restore the water supply. See "ART. Automatic reset function". Must be activated in the step 5 of the ADVANCED MENU (Ar1).
- Fast cycling: when the hydropneumatic tank has lost too much air and, consequently, frequent start-stop cycles are produced this alarm is activated and is delayed the start of the pump. Activated (rc2).
- Manual start push-button (ENTER).
- 3 operation modes: differential, reverse and synchronized.
- Control panel with 3-digit display, LED indicator lights and push-buttons.
- Available settings:
 - Stand-by mode.
 - Minimum period between fast cycles.
 - Start and stop delay.

4. TECHNICAL CHARACTERISTICS


- | | |
|--|-----------------------------|
| • Rated motor power: | 4,4kW (5,5HP) |
| • Power supply: | ~3 x 230-400 Vac |
| • Electric outlet: | ~3 x 230-400 Vac |
| • Pressure max. | 1,2 MPa |
| • Frequency: | 50/60Hz |
| • Max. current: | 10 A |
| • Protection degree: | IP55 |
| • Max water Temperature: | 40°C |
| • Max environment Temperature: | 50°C |
| • Maximum relative humidity: | 80% (31°C) - 50% (40°C) |
| • Cut-in range (start pressure) | 0,5÷11,5 bar |
| • Cut-out range (stop pressure) | 1÷12 bar |
| • Max. differential (Pstop-Pstart) | 11,5 bar |
| • Minimum differential (Pstop-Pstart)) | 0,5 bar |
| • Factory setting (start/stop) | 3/4 bar |
| • Hydraulic inlet | G1/4" Female - Rotative nut |
| • Net weight (without cables) | 0,654 kg |

5. HYDRAULIC INSTALLATION (diagram A)

 SWITCHMATIC 2T equipment must be threaded to a fitting G1/4" male at the pump's outlet.

Before connecting the SWITCHMATIC 2T verify that the hydraulic system is properly installed, especially if the hydropneumatic tank is pressurized.

6. ELECTRIC CONNECTION (diagram B)

 The electric connection must be performed by qualified personal in compliance with regulation of each country. Before doing manipulations inside the device, it must be disconnected from the electric supply. Wrong connection could spoil the electronic circuit.

The manufacturer declines all responsibility in damages caused by wrong connections.

When carrying out the electrical connection it is compulsory to use a differential switch of high sensitivity: I = 30 mA (clase A o AC). It is compulsory to use a magnetothermic switch adapted at the motor load.

Check if power supply is between 230-400V.

If you have purchased the unit without cables follow diagram B:


- Use cables type H07RN-F 4G1 or 4G1,5 with section enough to the power installed.
- Do the pump connection U, V, W and ⊕
- Do the power supply connection L1, L2, L3 and ⊕.
- The earth conductor must be longer than the others. It will be the first one to be mounted during the assembly and the last one to be disconnected during the dismantling. **The earth conductors connections are compulsory!**

7. CONTROL PANEL (diagram C)

The meanings of the different control panel elements are summarized on the following tables, where:

- O means lit LED light.
- ((O)) means slow-flashing.
- (((O))) means fast-flashing.

DISPLAY	ACTION
OPERATION MODE	Is showed on screen instantaneous pressure or instantaneous current consumption
ADJUSTMENT MODE	Is displayed on screen the adjusted start pressure blinking. Is displayed on screen the adjusted stop pressure blinking. Is displayed the adjusted rated current blinking.
ALARM MODE	Is displayed the alarm code
STAND-BY MODE	Are displayed 3 flashing dots
BASIC CONFIGURATION MODE	Is displayed the sequence of basic configuration parameters
ADVANCED CONFIGURATION MODE	Is displayed the sequence of advanced configuration parameters

LEDS	STATE	MEANING
bar	O	It indicates the instantaneous pressure in bar
	((O))	It indicates the instantaneous pressure in bar + pump operating
psi	O	It indicates the instantaneous pressure in psi
	((O))	It indicates the instantaneous pressure in psi + pump operating
A	O	It indicates the instantaneous current consumption in Ampere units
	((O))	Pump ON
START	O	Is displayed the start pressure
	((O))	Adjusting start pressure
STOP	O	Is displayed the stop pressure
	((O))	Adjusting stop pressure
	O	Ratified dry-running or overload alarms
	((O))	Dry-running alarm performing ART or overload alarm performing any of the 4 restore attempts
	(((O)))	Fast-cycling alarm
v	O	It indicates the instantaneous voltage consumption in voltage units

P-BUTTON	TOUCH	ACTION
	click!	From state ON: unit OFF. From state OFF: the pump starts and keeps operating until reaching Pstop. From any configuration MENU: the parameter value is accepted.
	HOLD DOWN	From state ON: unit OFF. From state OFF: the pump starts and keeps operating until the push-button is released.
	click!	Pstart is displayed on the screen for 3 seconds.
	3"	Pstart adjustment mode.
	click!	Pstop is displayed on the screen for 3 seconds.
	3"	Pstop adjustment mode.
	click!	Is displayed on the screen instantaneous current consumption. If it is already displayed then we switch to instantaneous pressure view.
	3"	Rated current adjustment.
	click!	Is displayed on the screen instantaneous voltage. If it is already displayed then we switch to instantaneous pressure view.
	3"	Adjust rated voltage between different options: 110V, 125V, 220V, 230V, 380V, 400V.

8. STARTUP

Before starting the device please read the previous sections, especially "Hydraulic Installation" and "Electrical connection".
Follow next steps:

- Set the power supply voltage.
 - Press during 3 seconds.
 - The voltage value is displayed on screen, LED V lights up and display is flashing.
 - By mean of and is adjusted the power supply voltage. See Note 1.
 - Press for validation.
- Set the pump rated current intensity value.
 - Press during 3 seconds.
 - The current intensity value is displayed on screen, LED A lights up and display is flashing.
 - By mean of and is adjusted the rated current reflected in the characteristics plate of the motor. See Note 2.
 - Press for validation.
- Start the device by pressing .
- Set the cut-in (start) pressure:
 - Press during 3 seconds.
 - The start pressure value is displayed on screen, LED START lights up and display is flashing.
 - By mean of and is adjusted the start pressure from 0,5 to 11,5 bar (+ version=11 bar).
 - Press for validation.
- Set the cut-out (stop) pressure:
 - Press during 3 seconds.
 - The stop pressure value is displayed on screen, LED STOP lights up and display is flashing.
 - By mean of and is adjusted the stop pressure from 1 to 12 bar (+ version=12 bar).
 - Press for validation.
- The unit is ready to operate but more optional adjustments can be set through basic and advanced MENUS. See the next chapter.

Remark 1: it is important to introduce exactly the power supply voltage specified on the nameplate of the pump.

Remark 2: it is important to introduce exactly the rated current specified on the nameplate of the pump.

9. BASIC MENU +

- Press simultaneously + during 5 seconds.
- By mean of or the values can be changed.
- Press for validation.
- The parameters sequence is:

it	TYPE	SYSTEM REACTION	FACTORY SETTING
1	BAR P	We can select the pressure units displayed between bar and psi.	bar
2	rc0 rc2	Fast-cycling alarm: - rc0: alarm unabled. - rc1: activated, when hammering is detected it is delayed the start in order to protect the pump. - rc2: alarm is activated and the pump is stopped upon detection.	rc2
3	r.01 r.99	Only if fast-cycling alarm has been activated in the previous step (rc1&rc2). It can be choosed the maximum time period between 3 consecutive starts that will be considered fast cycling (between 1 sec. and 99 sec.)	3 seconds
4	Sb0 Sb1	Stand-by mode activated (Sb1), for low power consumption, or unabled (Sb0).	Sb0

10. ADVANCED MENU + +

- Press simultaneously + + during 5 seconds.
- By mean of or the values can be changed.
- Press for validation.
- The parameters sequence is:

it	TYPE	SYSTEM REACTION	FACTORY SETTING
1	nc no	Select the operation MODE as a conventional pressure switch (nc = normally closed) or reverse (no = normally open). *see remark 3	nc
2	E00 E01/02	Select the operation mode Individual (E00) or Master/Slave (E01/E02) in case of be assembled in groups of two pumps.	E00
2.1	d.05 d.1	Sets the minimum gap between Pstart 1 and Pstart 2 and/or Pstop 1 and Pstop 2.	d.05
3	ct0 ct9	Sets a time delay between 0 and 9 seconds to the start (is not available in synchronized operation mode).	ct0
4	dt0 dt9	Sets a time delay between 0 and 9 seconds to the stop.	dt0
5	AE1 AE0 AE2	(Only in Switchmatic 2) Select AE0 to dissable dry run alarm by current consumption. To have a dry run protection, the minimum pressure value must be set. Select AE1 to enable dry run alarm with auto-learning mode. In this mode, the SW2 will learn the real consumption of the pump. Select AE2 to enable dry run alarm without auto-learning mode. In this case, when the pump consumes a 40% less of the value set as rated current, the dry run alarm will appear.	AE1
6	Ar0 Ar1	Activation of the automatic restore system ART (Ar1) o disable (Ar0).	Ar0
7	P0.0 Px.x	It allows setting a minimum operating pressure under which the device would determine dry-running operation.	0 bar 0 psi
7.1	t05 t99	Set the time period between 5 and 99 seconds below the minimum operating pressure that will be considered a dry-running operation.	20"
8	c10 c30	It allows setting a % of nominal current above which the device will activate the overcurrent protection.	c20
9	H00 H99	Anti-flooding configuration. If activated, it stops the pump after programmed time (in minutes) of continuous operation. Disabled (H00), 1 minute (H01) ... 99 minutes (H99).	H00
10	rS0 rS1	If we change rS0 to rS1 and push ENTER default values are restored.	rS0

Remark 3:

By choosing "no" (normally open) it will operate as an auxiliary pressure control element in the suction of the pump. It will restart when the suction pressure reaches the configured PStart.

Example:

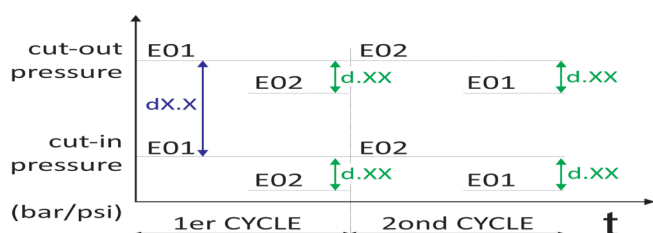
- PStop: 0,9 bar
- PStart: 1,2 bar

11. SYNCHRONISATION

SWITCHMATIC 2T can be synchronized to another unit SWITCHMATIC 2T managing and protecting 2 pumps operating in cascade with alternated starting sequence. Next steps must be followed:

1. GO TO ADVANCED MENU: + +
 - In **step 2**: select E01 in a unit (this one will be the master) and select E02 in the other unit (this one will be the slave).
 - In **step 3**: select **identical** parameters of gap between pressures d.XX. This is the difference between the starting pressure of main and auxiliary pumps, it is also the difference between stop pressures of both pumps.

Differential (dX.X) = Pstop - Pstart ≥ 1 bar
 Gap (d.XX) = Pstop1 - Pstop2 = Pstart1 - Pstart2



2. Press repeatedly until exit the ADVANCED MENU.
3. SET **identical** cut-in and cut-out pressures in both units.
To optimize the synchronization, the minimum difference between the start and stop pressures must be at least 1 bar.
4. Press in order to disable the units. Is displayed "OFF".
5. Press again in both units in order to activate the synchronization.

Remark 4: after 10 cycles the unit configured E01 will display pressure and the unit configured E02 will display current in Amps.

12. PRESSURE SENSOR CALIBRATION

In case of wrong lecture of the pressure sensor it can be adjusted again. For the pressure sensor calibration is necessary to have a pressure gauge in the installation. Proceed following next steps:

ZERO REGULATION

1. Press ENTER to disconnect the device. It will be displayed OFF.
2. Open the taps living the hydraulic net without pressure.
3. Press simultaneously the buttons and until the display show 0.0 flashing.
4. Press to validate.

FULL SCALE

1. Start the pump until cut-out of the pressure switch.
2. Press simultaneously the buttons and till the display flashes with a figure.
3. Adjust the pressure with the arrows push-buttons to get the pressure desired.
4. Press to validate.

Remark 5: pressure sensor decalibration should not be a normal event. If it is frequently repeated contact the technical service.


13. REGISTER OPERATION DATA AND ALARMS + +

- Press simultaneously + + during 5 seconds.
- Press to advance in the REGISTER.
- The DATA sequence is:

MESSAGE	DESCRIPTION	SCOPE
rEC		
HF xxx	Controller operating hours	0-65535
HP xxx	Pump operating hours	0-65535
CF xxx	Operating cycles Number of start-stop cycles.	0-999999
Cr xxx	Number of connections to the power supply.	0-65535
A01 xxx	Number of A01 alarms.	0-999
A02 xxx	Number of A02 alarms.	0-999
A04 xxx	Number of A04 alarms.	0-999
A05 xxx	Number of A05 alarms.	0-999
A08 xxx	Number of A08 alarms.	0-999
A09 xxx	Number of A09 alarms.	0-999
A11 xxx	Number of A11 alarms.	0-999
A27 xxx	Number of A27 alarms.	0-999
APM xxx	Number of over-pressure alarms (---).	0-999
rPM x.x	Maximum registered pressure.	
rSt	ENTER -> EXIT.	

+ -> All the alarms are restored except the operation data.

14. WARNINGS AND ALARMS

COD.		DESCRIP-TION	SYSTEM REACTION
A01	○ ((O))	DRY-RUN-NING	When is detected a dry-run operation the pump is automatically stopped. By mean of ENTER the normal operation can be manually restored. After the activation of the dry-running alarm if the Automatic system reset (ART) is enabled, a first attempt at 5 minutes and then an attempt every 30 minutes for 24 hours is performed in order to restore the normal operation. This alarm can also be reset manually with the ENTER push-button. If the alarm persists after 24 h we find a definitive alarm.
A11	○	DRY-RUN-NING (BY MINIMUM PRESSURE)	Is displayed during normal operation if the pressure is below the minimum pressure (Px.x) - previously set - during a period (tx) - also previously set - in the ADVANCED MENU. If at any time the pressure exceeds the minimum pressure, the operation is restored automatically and the alarm is cleared. Normal operation can also be restored manually by pressing ENTER.
A02	○ ((O))	OVERLOAD	Overcurrent alarm is activated when the nominal pump current is exceeded. 4 automatic reset attempts prior to the final alarm are performed. During the attempts display will show current. Normal operation can also be restored manually by pressing ENTER.
A04	((O))	FAST CYCLING	This alarm can be unabled or activa-ted in the BASIC MENU. The alarm is activated when 3 consecutive cycles occur in a range lower than the set time (between cycle and cycle). If it has been activated rc1, this alarm does not stop the normal operation but are added 5 seconds to the start delay in order to protect the electric pump. If it has been activated rc2, the pump is stopped. To RESET the normal operation press ENTER.
A05	○	DAMAGED PRESSURE TRANSMIT-TER	CONTACT WITH YOUR SUPPLIER.
A08	○ ((O))	OVERVOL-TAGE	Overvoltage alarm is activated when the power supply voltage is exceeded. 4 automatic reset attempts prior to the final alarm are performed. During the attempts display will show . Normal operation can also be restored manually by pressing ENTER.
A09	○ ((O))	UNDER-VOLTAGE	Undervoltage alarm is activated when the power supply voltage is under the minimum. 4 automatic reset attempts prior to the final alarm are performed. During the attempts display will show . Normal operation can also be restored manually by pressing ENTER.
A27	○ ((O))	SHORTCIR-CUIT	Short-circuit alarm occurs if the rated current is exceeded by 40% in less than one second. It may be due to a phase failure or a short circuit in the motor. 4 automatic reset attempts are made before proceeding to the final alarm. Normal operation can also be manually restored by pressing ENTER.

15. EC STAMENT OF COMPLIANCE

COELBO CONTROL SYSTEM, S.L.

States, on our own responsibility, that all materials here with related comply with the following European Directives: 2014/35/EU. 2014/30/EU. 2011/65/EU.

Name: - SWITCHMATIC 2T

Standards : EN-60730-2-6, EN-60730-1, EN-61000-6-1, EN-61000-6-3, IEC-60730-1, IEC-60730-2-6

F. Roldán Cazorla
Director Técnico
04/05/2016

COELBO CONTROL SYSTEM, S.L.

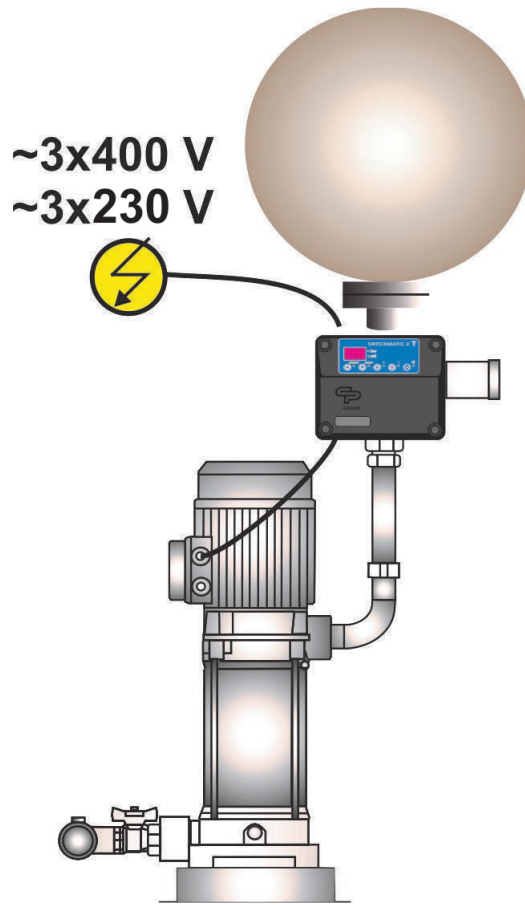
Ctr de Rubí, 288 - P.I. Can Guitard
08228 Terrassa - BARCELONA (SPAIN)

16. CLASSIFICATION AND TYPE

According to IEC 60730-1 and EN 60730-1 this unit is a control sensor device, electronic, independent assembly, programming type A with action type 1B (microdisconnection). Operating value: I < 20% I learned. Pollution degree 2 (clean environment). Rated impulse voltage: cat II / 2500V. Tem-peratures for ball test: enclosure (75) and PCB (125).

DIAGRAM A:

INDIVIDUAL



GROUPAL

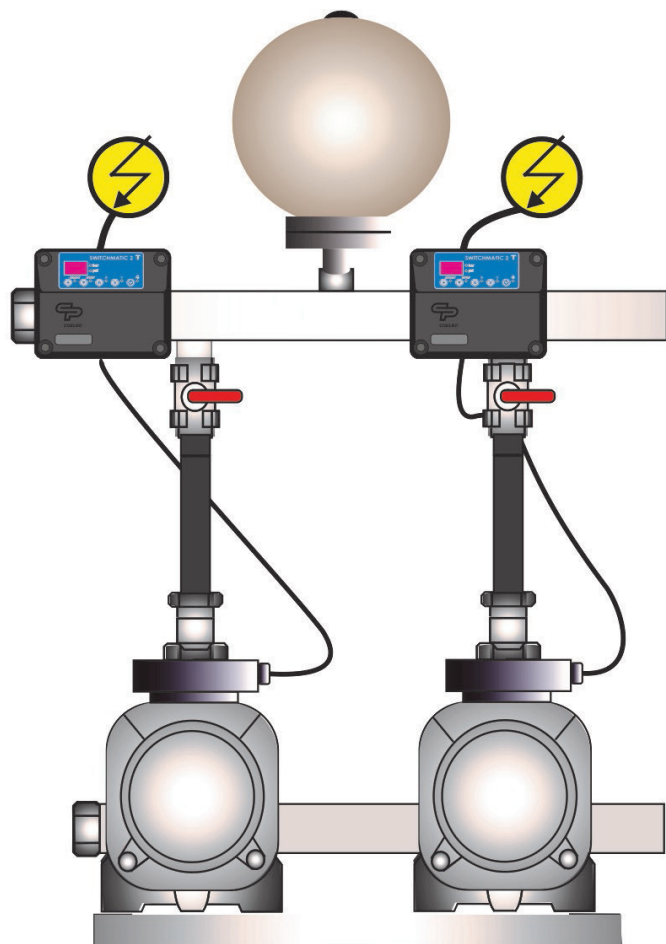


DIAGRAM B:

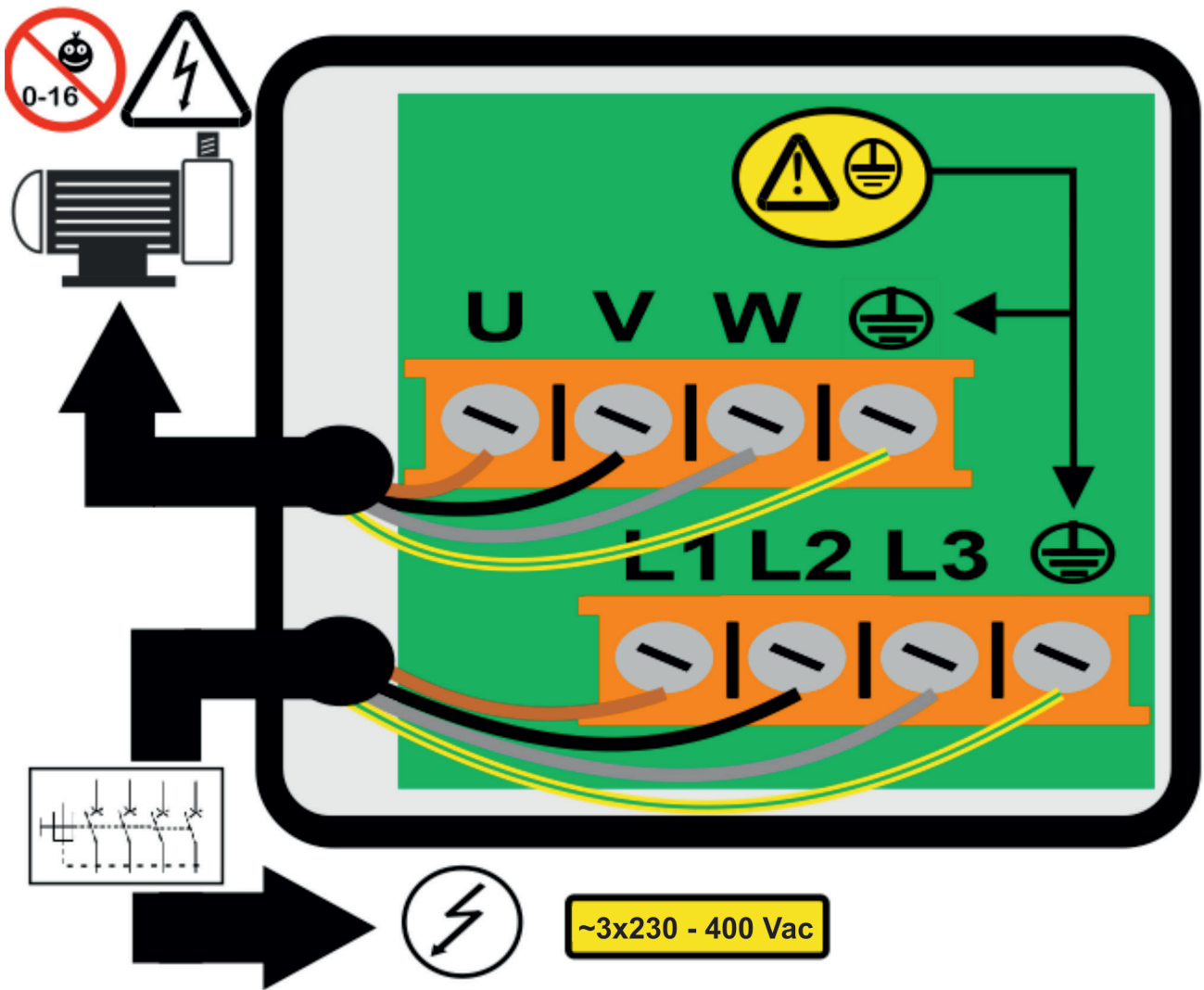
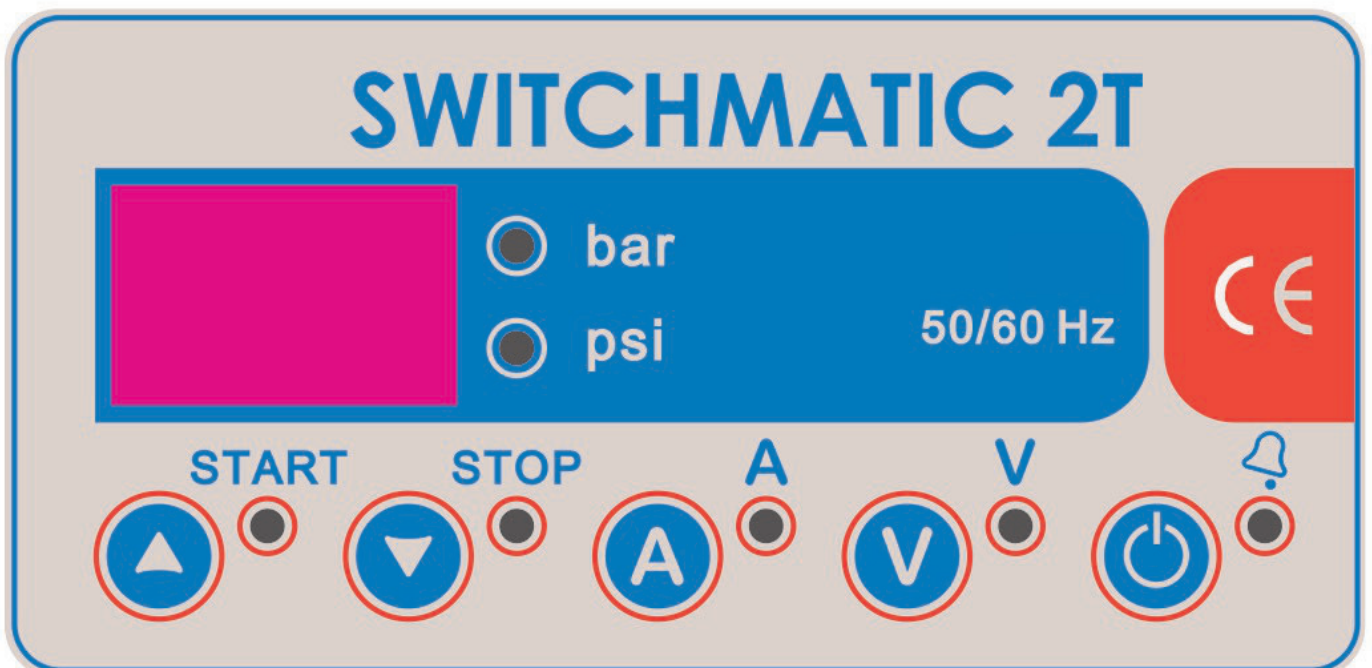
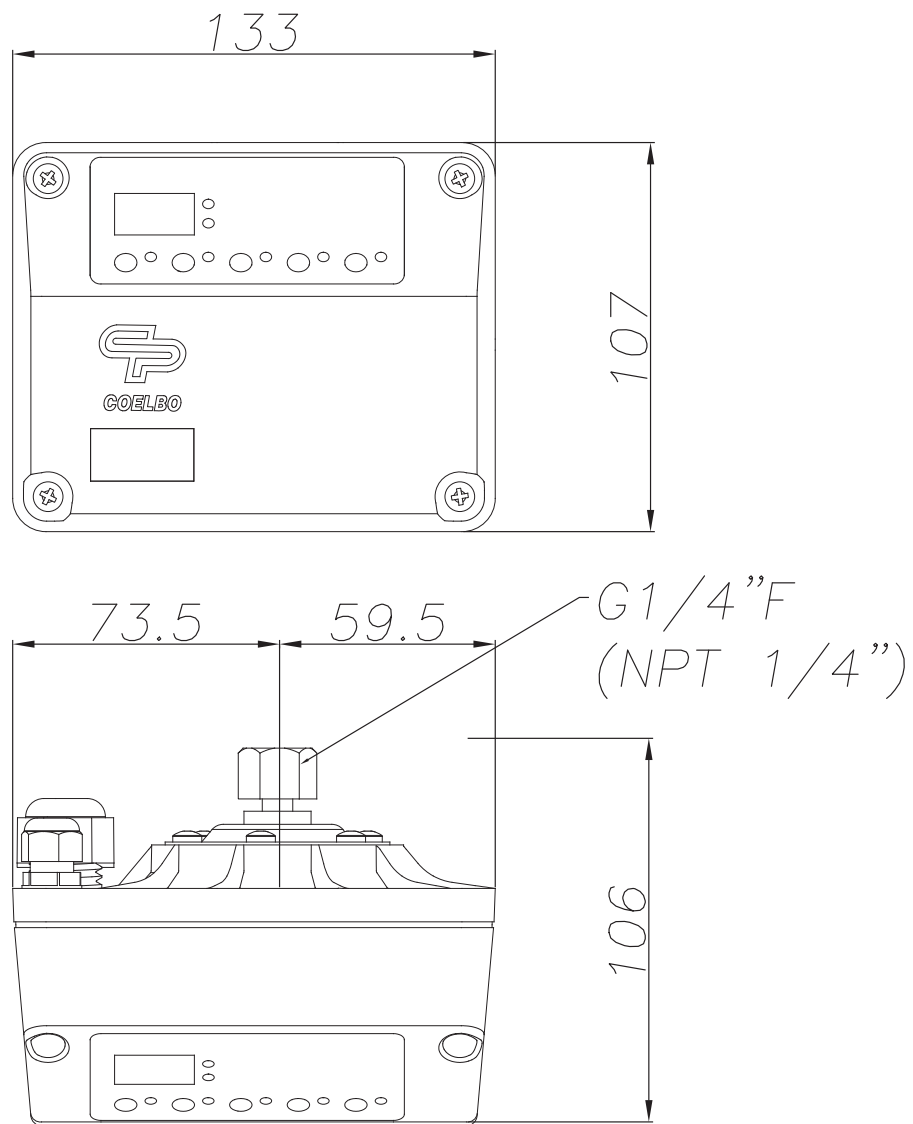


DIAGRAM C:



DIMENSIONS:



SWITCHMATIC 2T

ES



AJUSTES AVANZADOS



Riesgo de daño al grupo de presión o a la instalación



Riesgo por choque eléctrico.



Riesgo para personas y/o objetos.

CE

1. GENERALIDADES

Lea atentamente las instrucciones antes de instalar el aparato. Verifique la compatibilidad de características técnicas del motor y el aparato.

2. DESCRIPCIÓN (diagrama A)

La unidad SWITCHMATIC 2T es un presostato electrónico con manómetro digital integrado. Permite gestionar la puesta en marcha y paro de una bomba trifásica de hasta 4,4 kW (5,5 HP). Las presiones son fácilmente ajustables a través del panel de control de usuario.

El cableado se realiza de forma análoga al de un presostato electromecánico tradicional.

Puede operar como un interruptor de presión diferencial o de presión inversada.

La unidad SWITCHMATIC 2T, además de todas las características del SWITCHMATIC, incluye la lectura de corriente instantánea y tensión consumida. Este sistema patentado controla y gestiona la sobreintensidad, el sobrevoltage, el funcionamiento en seco y los ciclos rápidos de funcionamiento.

La unidad SWITCHMATIC 2T, además de todas las características del montaje individual incluye la opción de ser sincronizado con otro dispositivo SWITCHMATIC 2T gestionando y protegiendo 2 bombas operando en cascada con funcionamiento de secuencia de inicio alternada.


3. CARACTERÍSTICAS DE FUNCIONAMIENTO (diagr. C)

- Gestión de puesta en marcha y paro configurables.
- Manómetro digital integrado con lectura en bar y psi.
- Transductor de presión integrado.
- Protección contra funcionamiento en seco: Mediante corriente instantánea consumida en el caso de la unidad SWITCHMATIC 2T.
- Protección contra sobre-intensidad.
- Protección contra sobrevoltage.
- Protección contra bajovoltage.
- Protección cortocircuito y fallo de fase.
- Función ART (Automatic Reset Test). Cuando el dispositivo se encuentra desconectado por la intervención del sistema de protección por falta de agua, el ART intenta, con una periodicidad programada, conectar el dispositivo hasta el restablecimiento de la alimentación de agua. Ver "ART. Función reset automático". Debe ser activado en el paso 5 del MENU AVANZADO (Ar1).
- Aviso ciclos rápidos: cuando el tanque hidroneumático ha perdido demasiado aire y, en consecuencia, se producen frecuentes puestas en marcha y paros se activa este aviso. Activado (rc2).
- Pulsador manual de rearme (RESET).
- 3 Modos de operación: diferencial, inversado y sincronizado.
- Panel de mandos y display numérico de 3 cifras, indicadores led luminosos y pulsadores.
- Posibilidad de configuración:
 - Modo stand-by.
 - Tiempo mínimo de ciclos rápidos.
 - Retardo de conexión y desconexión.


4. CARACTERÍSTICAS TÉCNICAS

- Potencia nominal de la bomba: 4,4KW (5,5HP)
- Alimentación eléctrica: ~3 x 230-400 Vac
- Salida eléctrica: ~3 x 230-400 Vac
- Presión máxima: 1,2MPa
- Frecuencia: 50/60Hz
- Corriente máxima: 10 A
- Grado de protección: IP55
- Temperatura máxima del agua: 40°C
- Temperatura ambiente máxima: 50°C
- Humedad relativa máxima: 80% (31°C) - 50% (40°C)
- Presión de puesta en marcha: 0,5 ÷ 11,5 bar
- Rango de paro: 1 ÷ 12 bar
- Diferencial máximo (Pstop-Pstart): 11,5 bar
- Diferencial mínimo (Pstop-Pstart): 0,5 bar
- Configuración fábrica (marcha/paro): 3/4 bar
- Conexión red hidráulica: G 1/4" Hembra
- Peso neto (sin cables): 0.654 kg

5. INSTALACIÓN HIDRÁULICA (diagrama A)

 El equipo SWITCHMATIC 2T debe ser roscado a un manguito de 1/4" G macho a la salida de la bomba. Antes de conectar el SWITCHMATIC 2T verificar que la instalación hidráulica está montada correctamente, especialmente que el tanque hidroneumático está presurizado.

6. CONEXIONES ELÉCTRICAS (diagrama B)

 Antes de realizar cualquier manipulación en el interior del aparato, éste debe ser desconectado de la red eléctrica.

Las conexiones erróneas pueden dañar el circuito electrónico.

El fabricante no se hace responsable de los daños causados por malas conexiones. Verificar que la alimentación eléctrica se encuentre entre ~230-400V. Para la instalación eléctrica es imprescindible utilizar un interruptor diferencial de alta sensibilidad: I = Δn 30 mA (clase A o AC). Es imprescindible utilizar un magnetotérmico ajustado al consumo del motor.

Si ha adquirido la versión sin cables seguir las indicaciones del diagrama B:


- Usar cables H07RN-F 4G1 o 4G1,5 en función de la potencia instalada.
 - Conectar U, V, W y ⊕ al motor.
 - Conectar L1, L2, L3 y ⊕ a la red.
 - El conductor de tierra debe ser más largo que los demás. Será el primero en embornar durante el proceso de conexión y el último en desembornar durante la desconexión.
- ¡Las conexiones del conductor de tierra son obligatorias!**

7. INTERFACE USUARIO (diagrama D)

La siguiente tabla resume el significado y operativa de los distintos elementos de la interface de usuario donde:

- ((O)) significa intermitencia lenta.
- (((O))) significa intermitencia rápida.

MODO	ACCIÓN
MODO OPERACIÓN	Muestra presión instantánea o corriente instantánea consumida
MODO AJUSTE	Muestra en pantalla parpadeando presión de puesta en marcha Muestra en pantalla parpadeando presión de paro Muestra en pantalla parpadeando intensidad nominal
MODO ALARMA	Muestra el código de alarma
MODO BAJO CONSUMO	Muestra 3 puntos intermitentes
CONFIGURACIÓN BÁSICA	Muestra los parámetros básicos de configuración
CONFIGURACIÓN AVANZADA	Muestra los parámetros avanzados de configuración

LEDS	ESTADO	SIGNIFICADO
bar	O	Indica la presión instantánea en bar
	((O))	Indica la presión instantánea en bar + bomba en marcha
psi	O	Indica la presión instantánea en psi
	((O))	Indica la presión instantánea en psi + bomba en marcha
A	O	Indica la corriente instantánea consumida en Amperios
	((O))	Bomba ON
V	O	Indica la tensión consumida en voltios.
START	O	Visualización presión de puesta en marcha
	((O))	Ajustando presión de puesta en marcha
STOP	O	Visualización presión de paro
	((O))	Ajustando presión de paro
	O	Alarma falta de agua o sobre-corriente definitiva.
	((O))	Alarma falta de agua con ART activado o Sobre-corriente realizando intentos de restablecimiento.
	(((O)))	Alarma ciclos rápidos

PULSADORES	PULSA-CIÓN	ACCIÓN
	click!	Desde estado ON: dispositivo OFF. Desde estado OFF: el dispositivo se pone en marcha y se activa la bomba hasta Pstop. Desde cualquiera de los modos de configuración: valida el valor introducido.
	mante-nida	Desde estado ON: dispositivo OFF. Desde estado OFF: el dispositivo se mantiene en marcha hasta que es soltado el pulsador.
	click!	Visualizamos Pstart durante 3 segundos.
	3"	Entramos a la configuración de Pstart.
	click!	Visualizamos Pstop durante 3 segundos.
	3"	Entramos a la configuración de Pstop.
	click!	Visualizamos en pantalla la corriente instantánea consumida. Si ya estamos viéndola volvemos a ver la presión.
	3"	Entramos a la introducción de la corriente nominal máxima de la bomba.
	click!	Visualizamos en pantalla el voltage instantaneo
	3"	Ajustamos el voltage nominal entre diferentes opciones: 110V, 125V, 220V, 230V 380V 400V.

8. PUESTA EN MARCHA (diagrama C)

Antes de poner en marcha el aparato deberán leerse los apartados anteriores, especialmente "Instalación Hidráulica" y "Conexión eléctrica".

La puesta en marcha básica consiste en:

1. En el modelo SW2T introducir la tensión nominal de la bomba:

- Pulsar durante 3 segundos.
- Visualizamos en pantalla la consigna de tensión en V parpadeando y el led V se ilumina.
- Mediante las teclas y se ajustará la tensión nominal reflejada en la placa de características. Ver Nota 2.
- Pulsar para validar.

2. Introducir la intensidad nominal de la bomba:

- Pulsar durante 3 segundos.
- Visualizamos en pantalla la consigna de corriente en A parpadeando y el led A se ilumina.
- Mediante las teclas y se ajustará la intensidad nominal reflejada en la placa de características. Ver Nota 1.
- Pulsar para validar.

3. Poner en marcha el dispositivo pulsando .

4. Introducir presión de puesta en marcha:

- Pulsar durante 3 segundos.
- Visualizamos en pantalla la presión de puesta en marcha parpadeando y se ilumina el led START.
- Mediante las teclas y se ajustará la presión de puesta en marcha de 0,5 a 11,5 bar.
- Pulsar para validar.

5. Introducir presión de paro:

- Pulsar durante 3 segundos.
- Visualizamos en pantalla la presión de paro parpadeando y se ilumina el led STOP.
- Mediante las teclas y se ajustará la presión de paro de 1 a 12 bar
- Pulsar para validar.

6. El dispositivo queda configurado sin embargo existen múltiples posibilidades de ajustes que se realizarán mediante los menús de programación básico y avanzado. Véase el siguiente capítulo.

Nota 1: es importante introducir exactamente la corriente nominal especificada en la placa de características de la bomba.

Nota 2: es importante introducir exactamente la tensión nominal especificada en la placa de características de la bomba.

9. MENÚ DE PROGRAMACIÓN BÁSICO + (diagr. C)

- Pulsar + durante 5 segundos.
- Mediante las teclas o se modificarán los valores.
- Pulsar para validar y pasar al siguiente.
- La secuencia de parámetros es la siguiente:

it	TIPO		REACCIÓN DEL SISTEMA	AJUSTE FABRICA
1	BAR	PSI	Permite seleccionar las unidades en que se visualiza la presión entre bar y psi.	bar
2	rc0	rc2	Alarma de ciclos rápidos: - rc0: alarma desactivada. - rc1: alarma activada, cuando es detectada se produce un retardo en la puesta en marcha para proteger a la bomba. - rc2: alarma activada y se detiene la bomba al ser detectada.	rc2
2.1	r.01	r.99	Sólo si hemos activado en el paso anterior la alarma de ciclos rápidos (rc1&rc2), podemos seleccionar que periodo de tiempo entre 3 puestas en marcha consecutivas, en segundos, consideramos como ciclo rápido entre "1" y "99".	3 segundos
3	Sb0	Sb1	Permite activar el modo stand-by del display (Sb1) o desactivarlo (Sb0) para ahorrar energía.	Sb0

10. MENÚ DE PROGRAMACIÓN AVANZADO + +

- Pulsar + + durante 5 segundos.
- Mediante las teclas o se modificarán los valores.
- Pulsar para validar y pasar al siguiente.
- La secuencia de parámetros es la siguiente:

it	TIPO		REACCIÓN DEL SISTEMA	AJUSTE FABRICA
1	nc	no	Permite seleccionar el tipo de funcionamiento como presostato convencional (nc = normalmente cerrado) o inversado (no = normalmente abierto). *ver nota 3	nc
2	E00	E01/02	Permite seleccionar la modalidad de trabajo: Modo individual(E00), o modo Master(E01) y Slave(E02).	E00
2.1	d.05	d.1	Permite establecer el decalaje entre Pstart 1 y Pstart 2 o entre Pstop 1 y Pstop 2.	d.05
3	ct0	ct9	Permite establecer un retardo entre 0 y 9 segundos a la conexión.	ct0
4	dt0	dt9	Permite establecer un retardo entre 0 y 9 segundos a la desconexión.	dt0
5	AE1	AE0 AE2	AE1: la alarma por falta de agua (A01) mediante lectura de corriente consumida está activada. AE0: la alarma por falta de agua (A01) mediante lectura de corriente consumida está desactivada. AE2: la alarma por falta de agua actúa si detecta un consumo 40% por debajo del nominal.	AE1
6	Ar0	Ar1	Permite activar el sistema de rearmes periódicos automáticos ART (Ar1) o desactivarlo (Ar0).	Ar0
7	P0.0	Px.x	Permite establecer una presión mínima de trabajo por debajo de la cual el dispositivo detectaría una falta de agua.	0 bar 0 psi
7.1	t05	t99	Permite establecer el periodo de tiempo entre 5 y 99 segundos por debajo de la presión mínima de trabajo que ocasionaría una alarma por falta de agua.	20"
8	c10	c30	Permite establecer un % de In(A) por encima del cual salta la alarma de sobrecorriente.	c20
9	H00	H99	Configuración del temporizador contra inundación. Se detiene la bomba si se supera el tiempo (en minutos) previamente configurado de funcionamiento ininterrumpido. Desconectado (H00), 1 minuto (H01), ... 99 minutos (H99).	H00
10	rS0	rS1	Al pasar de rS0 a rS1 y pulsar ENTER se restablecen los parámetros de fábrica.	rS0

Nota 3:

Al escoger "no" (normally open) nos permite colocar el SW 2T como elemento de control auxiliar de la presión en la aspiración de la bomba) y pararla si no llega a la PStop. Se volverá a poner en marcha cuando la presión de aspiración alcance la PStart configurada.

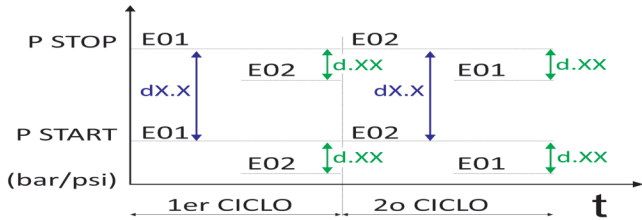
Ejemplo: - PStop: 0,9 bar
- PStart: 1,2 bar

11. SINCRONIZACIÓN

El SWITCHMATIC 2T puede ser sincronizado con otra unidad SWITCHMATIC 2T gestionando y protegiendo dos bombas operando en cascada con secuencia alternada de puesta en marcha. Para calibrar la sincronización se han de seguir los siguientes pasos:

1. IR A MENÚ AVANZADO: + +
 - En **paso 2:** seleccionar E01 en una unidad (ésta será el MASTER) y E02 para la otra unidad (ésta será el SLAVE).
 - En **paso 3:** seleccionar idéntico parámetro de decalaje d.XX. Es la diferencia entre la bomba principal y auxiliar de las presiones de puesta en marcha o también entre las presiones de paro.

Diferencial (dX.X) = Pstop - Pstart ≥ 1 bar
Decalaje (d.XX) = Pstop1 - Pstop2 = Pstart1 - Pstart2



2. Presiona repetidamente hasta salir del MENU AVANZADO.
3. AJUSTE idéntico de presión de puesta en marcha y de corte en ambas unidades.

Para un funcionamiento óptimo de la sincronización, la diferencia entre las presiones de puesta en marcha y paro debe ser como mínimo de 1 bar.

4. Presiona para deshabilitar ésta unidad. La pantalla indicará "OFF".
5. Presiona otra vez en ambos aparatos para activar la sincronización.

Nota 4: Después de 10 ciclos la unidad configurada como E01 mostrará presión y la unidad configurada como E02 mostrará amperios en pantalla

12. CALIBRACIÓN DEL SENSOR DE PRESIÓN

En caso de lectura errónea por parte del sensor se puede volver a calibrar.

Para la calibración del sensor es necesario tener un manómetro instalado. Seguir los siguientes pasos:

CALIBRACIÓN DEL CFRO

1. Pulsar ENTER para desconectar el dispositivo. La pantalla mostrará OFF.
2. Abrir los grifos para tener la instalación despresurizada.
3. Presionar simultáneamente los pulsadores y hasta que la pantalla muestre 0.0 parpadeando.
4. Presiona para validar.

FONDO DE ESCALA

1. Poner en marcha la bomba hasta la presión de corte del pre-sostato.
2. Presionar simultáneamente los pulsadores y hasta que la pantalla parpadee.
3. Ajustar los valores de la presión con las pulsadores para indicar la presión deseada.
4. Presionar para validar.

Nota 5: La descalibración del sensor de presión no debe ser algo normal. Si ocurre de forma repetida contactar con el servicio técnico.


13. REGISTRO DE DATOS Y ALARMAS + +

- Pulsar simultáneamente + + durante 5 segundos.
- Pulsar para avanzar en el menú.
- La secuencia de datos es:

MESSAGE	DESCRIPTION	SCOPE
rEC		
HF xxx	Horas funcionamiento del controlador.	0-65535
HP xxx	Horas funcionamiento de la bomba.	0-65535
CF xxx	Ciclos de operación Número de arranques-paros.	0-999999
Cr xxx	Número de conexiones a la red eléctrica.	0-65535
A01 xxx	Número de alarmas A01.	0-999
A02 xxx	Número de alarmas A02.	0-999
A04 xxx	Número de alarmas A04.	0-999
A05 xxx	Número de alarmas A05.	0-999
A08 xxx	Número de alarmas A08.	0-999
A09 xxx	Número de alarmas A09.	0-999
A11 xxx	Número de alarmas A11.	0-999
A27 xxx	Número de alarmas A27.	0-999
APM xxx	Número de alarmas de sobre-presión (---).	0-999
rPM x.x	Presión máxima registrada.	
rSt	ENTER -> Salir.	

+ -> Se restauran todas las alarmas excepto los registros.

14. AVISOS Y ALARMAS

COD.		DESCRIPCIÓN	REACCIÓN DEL SISTEMA
	<u>○</u>		Al detectarse una falta de agua se detiene el aparato. Se reanuda el funcionamiento pulsando ENTER.
A01	((○))	FALTA DE AGUA	Al detectarse una falta de agua con el sistema de Rearme Automático (ART) activado, se efectúa un primer intento a los 5 minutos y posteriormente un intento cada 30 minutos durante 24 horas. Esta alarma también puede ser reseteada de forma manual con el pulsador ENTER. Si el sistema persiste pasadas 24 h nos encontramos con una falta de agua definitiva.
A11	○	FALTA DE AGUA (POR PRESIÓN MÍNIMA)	Aparece si en funcionamiento normal la presión está por debajo de la presión mínima (Px.x) previamente establecida durante el tiempo (txx) previamente establecido en el MENÚ AVANZADO. Si en cualquier momento la presión supera la presión mínima el funcionamiento se restaura automáticamente. El funcionamiento normal también puede ser restaurado manualmente pulsando ENTER.
A02	<u>○</u> ((○))	SOBRE-CORRIENTE	Se produce alarma de sobrecorriente si se supera la corriente nominal de la bomba. Se realizan 4 intentos automáticos de restablecimiento antes de proceder a la alarma definitiva. El funcionamiento normal también puede ser restaurado manualmente pulsando ENTER.
A04	((((○)))	CICLOS EXCESIVOS	Sólo si la hemos activado en el MENÚ AVANZADO, se activa la alarma cuando se producen tres ciclos consecutivos en un intervalo de tiempo (entre ciclo y ciclo) inferior al configurado. Si hemos activado rc1, no se detiene el dispositivo pero se añaden 5 segundos al retardo de puesta en marcha para proteger la electrobomba. Si hemos activado rc2, se detiene la electrobomba. Para dejar de visualizar en pantalla la alarma se debe pulsar ENTER.
A05	○	TRANSDUCTOR AVERIADO	CONTACTAR CON SU PROVEEDOR.
A08	<u>○</u> ((○))	SOBREVOLTAJE	Se produce alarma de sobrevoltaje si se supera la tensión nominal de la bomba seleccionada, quedando esta última en paro. La bomba se volverá a poner en marcha cuando la tensión esté dentro del rango de la tensión seleccionada. El funcionamiento normal también puede ser restaurado manualmente pulsando ENTER.
A09	<u>○</u> ((○))	BAJOVOLTAJE	Se produce alarma de bajovoltaje si la tensión está por debajo de la tensión nominal de la bomba seleccionada, quedando esta última en paro. La bomba se volverá a poner en marcha cuando la tensión esté dentro del rango de la tensión seleccionada. El funcionamiento normal también puede ser restaurado manualmente pulsando ENTER.
A27	<u>○</u> ((○))	CORTOCIRCUITO	Se produce alarma de cortocircuito si se supera la corriente nominal en un 40% en menos de un segundo. Puede ser debido a un fallo de fase o a un cortocircuito en el motor. Se realizan 4 intentos automáticos de restablecimiento antes de proceder a la alarma definitiva. El funcionamiento normal también puede ser restaurado manualmente pulsando ENTER.

15. DECLARACIÓN DE CONFORMIDAD CE

COELBO CONTROL SYSTEM, S.L.

Declaramos, bajo nuestra responsabilidad, que los materiales designados en la presente, están conforme a las disposiciones de las siguientes directivas europeas: 2014/35/EU. 2014/30/EU. 2011/65/EU.

Nombre: - SWITCHMATIC 2T

Normas : EN-60730-2-6, EN-60730-1, EN-61000-6-1, EN-61000-6-3, IEC-60730-1, IEC-60730-2-6

F. Roldán Cazorla

Director Técnico

04/05/2016

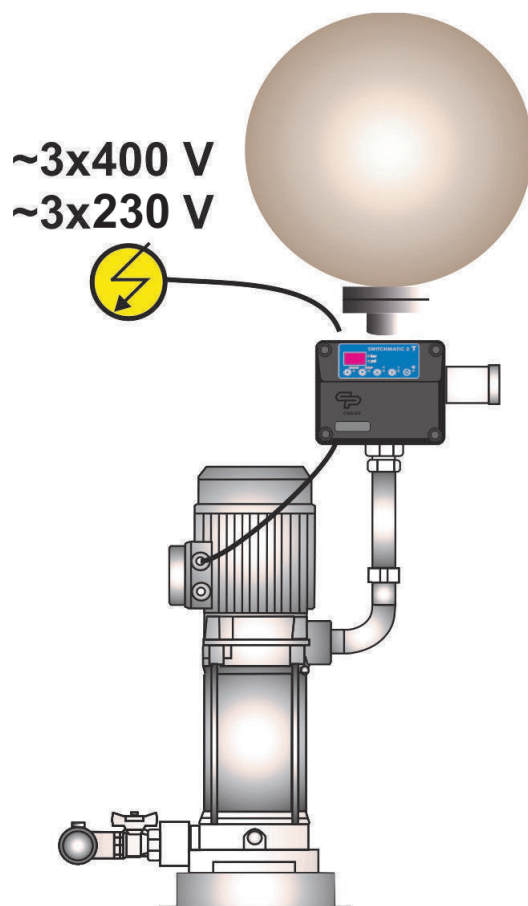
COELBO CONTROL SYSTEM, S.L.

Ctr de Rubí, 288 - P.I. Can Guitard

08228 Terrassa - BARCELONA (SPAIN)

16. CLASIFICACIÓN Y TIPO

Según IEC 60730-1 y EN 60730-1 este aparato es un dispositivo de control sensor, electrónico, de montaje independiente, programación clase A y con acción de tipo 1B (microdesconexión). Valor de funcionamiento: I<30% Int.adquirida. Grado de contaminación 2 (ambiente limpio). Tensión de impulso asignada: cat II / 2500V. Temperaturas para el ensayo de bola: envolvente (75°C) y PCB (125°C).



GRUPO

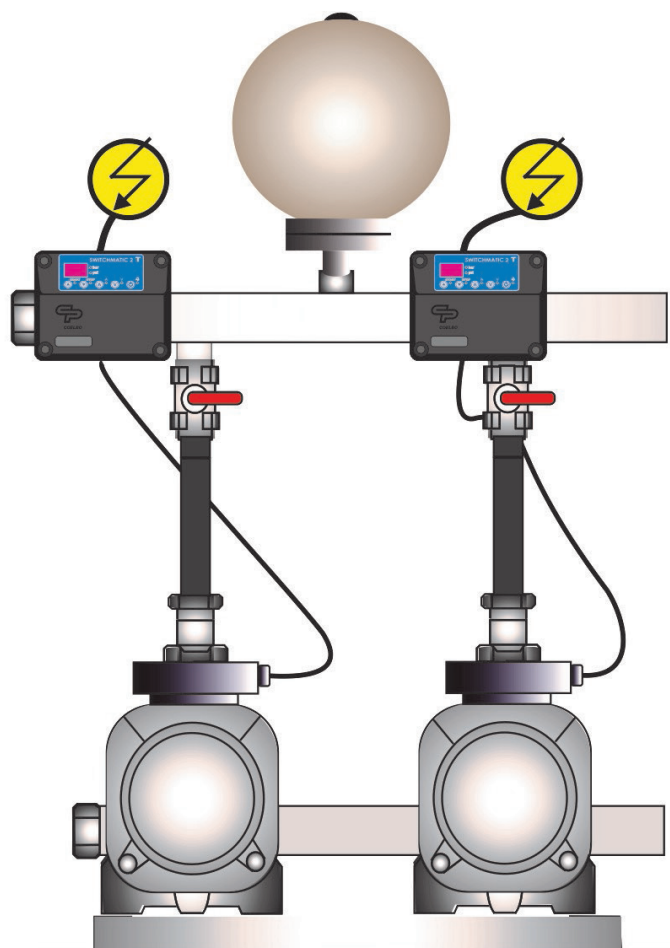


DIAGRAMA B:

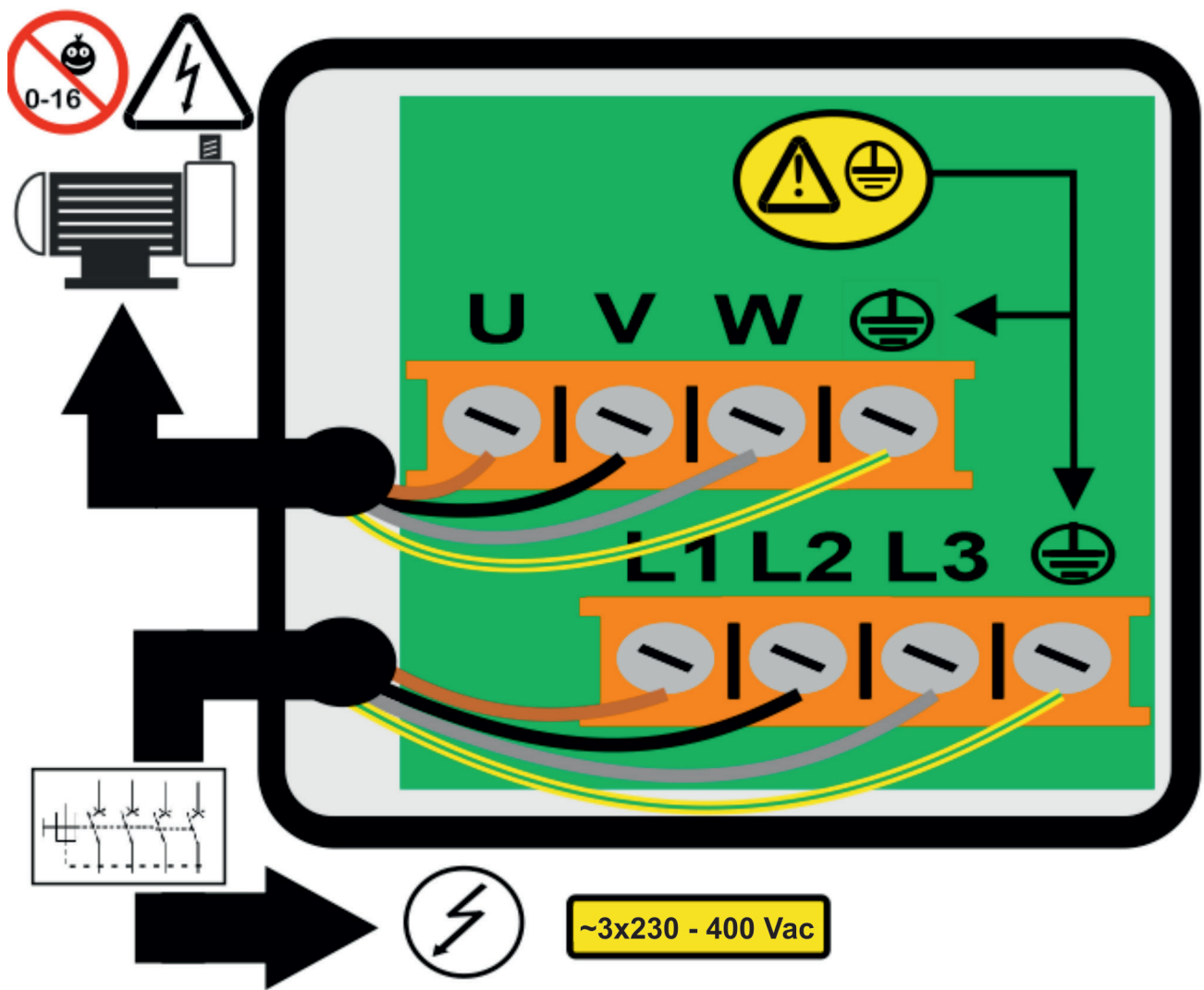
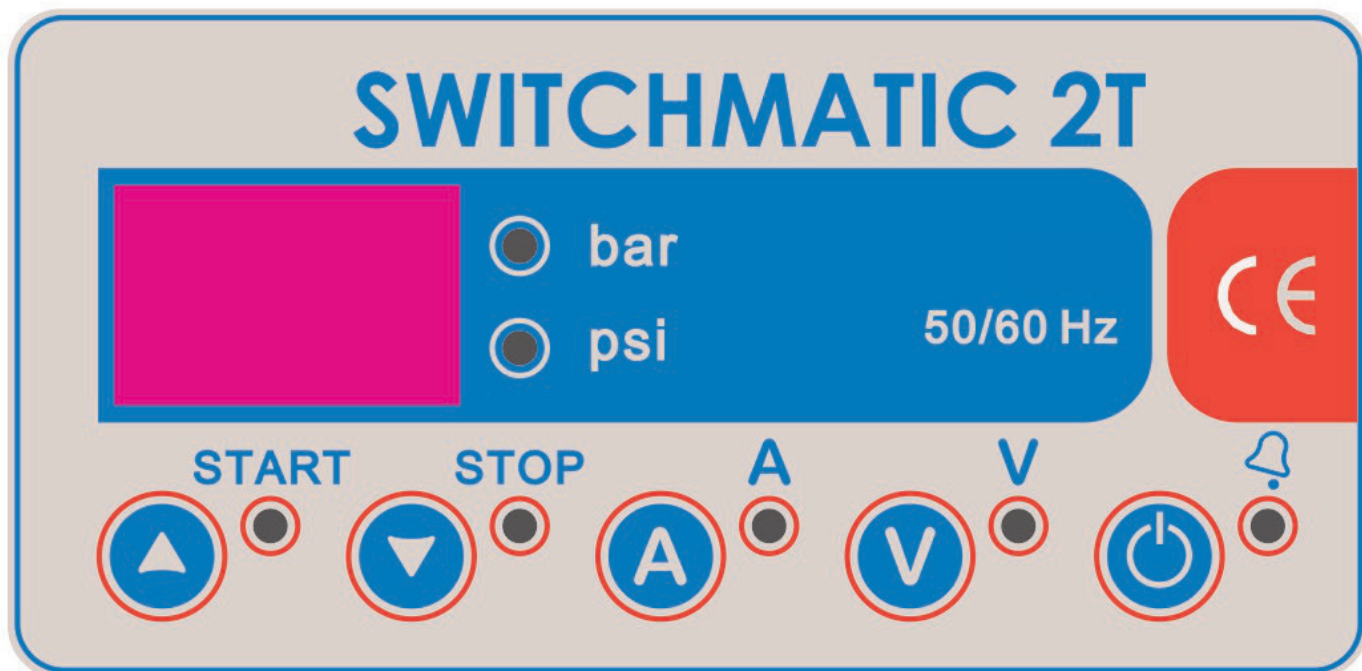
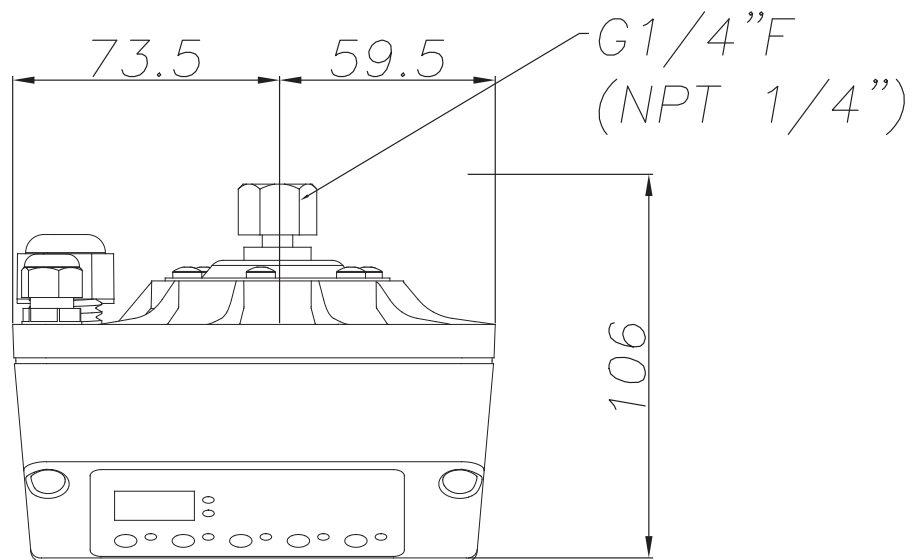
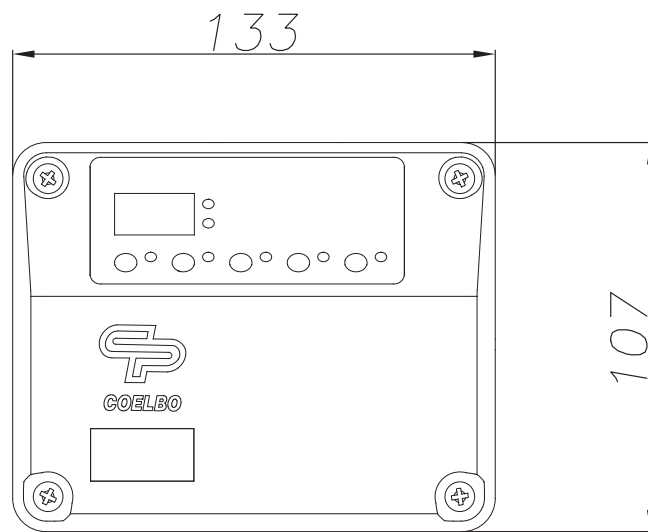


DIAGRAMA C:



DIMENSIONES:





PROGRAMMATION AVANCÉE



Risque de dommage au groupe de pression et/ou à l'installation.



Risque de choc électrique.



Risque pour les objets et/ou les personnes.



1. GÉNÉRALITÉS

Avant d'installer le dispositif, lisez attentivement les consignes. Assurez-vous de la compatibilité des caractéristiques techniques du moteur et du dispositif.

2. DESCRIPTION (Schéma A)

Le dispositif SWITCHMATIC 2 T est un pressostat électronique triphasé avec manomètre digital intégré. Il permet de gérer le démarrage et l'arrêt d'une pompe triphasée jusqu'à 4 kW (5,5 HP). Les pressions sont facilement réglables via le panneau de contrôle de l'utilisateur.

Les connexions sont faites de la même façon qu'un pressostat électromécanique classique.

Il peut servir d'interrupteur de pression différentiel ou de pression différentiel inverse.

Le dispositif SWITCHMATIC 2T comprend la lecture instantanée du courant consommé et de tension. Ce dispositif breveté, contrôle et gère la marche à sec de la pompe, la surintensité, tension hors plage et les cycles rapides.

Le SWITCHMATIC 2T peut aussi travailler synchronisé avec un autre dispositif SWITCHMATIC 2T contrôlant et tout en protégeant 2 pompes qui fonctionnent en cascade et avec une séquence alternée.


3. CARACTÉRISTIQUES DE FONCTIONNEMENT (Schéma C)

- Gestion de mise en marche et arrêt réglables.
- Manomètre numérique intégré avec lecture en bar et psi.
- Transducteur de pression intégrée.
- Protection contre la marche à sec: grâce à la consommation instantanée de courant en cas de.
- Protection contre la surintensité de courant
- Protection contre la surtension.
- Protection contre la sous-tension.
- Protection contre courts-circuits et pertes de phase.
- Fonction ART (Automatic Reset Test). Lorsque le dispositif est déconnecté suite à l'intervention du système de protection en raison d'un manque d'eau, la fonction ART essaie, à une fréquence programmée, de connecter le dispositif jusqu'au réapprovisionnement d'eau. Cf. "ART. Fonction de remise à zéro automatique". Il devra être activé dans l'étape 6 du MENU AVANCÉ (Ar1).
- Avertissement de cycles rapides : lorsque le réservoir hydropneumatique a perdu trop d'air et, par conséquent, en cas de mises en marche et arrêts fréquents, cet avertissement est activé. Activé (rc2).
- Bouton de réarmement manuel (ENTER).
- 3 modes de fonctionnement: différentiel, inverse, et synchronisé.
- Panneau de commandes et affichage numérique à 3 chiffres, témoins lumineux et boutons.
- Possibilité de configuration :
 - Mode Veille.
 - Durée minimale de cycles rapides.
 - Retard de connexion et déconnexion

4. CARACTÉRISTIQUES TECHNIQUES


- Puissance nominale de la pompe: 4,4kW (5,5HP)
- Alimentation électrique : ~3 x 230-400 Vac
- Sortie électrique: ~3 x 230-400 Vac
- Pression maximale: 1,2 MPa
- Fréquence : 50/60Hz
- Courant maximal : 10 A
- Degré de protection : IP55
- Température maximale de l'eau 40°C
- Température ambiante maximale : 50°C
- Humidité relative maximale: 80% (31°C)
50% (40°C)
- Pression de mise en marche 0,5 ÷ 11,5 bar
- Plage d'arrêt 1 ÷ 12 bar
- Différentiel maximal (Pstart-Pstop) 11,5 bar
- Différentiel minimal 0,5 bar
- Configuration d'usine (marche/arrêt) 3/4 bar
- Raccordement réseau hydraulique. G 1/4" Femelle - écrou rotatif
- Poids net (sans câbles) 0,654 kg

5. INSTALLATION HYDRAULIQUE (Schéma A)

 Le dispositif SWITCHMATIC 2T doit être raccordé à un filetage 1/4" G mâle à la sortie de la pompe.

Avant de brancher le SWITCHMATIC 2T, vérifiez que l'installation hydraulique soit correctement montée et notamment que le réservoir hydropneumatique est sous pression.

6. ELECTRIC CONNECTION (diagram B)

 The electric connection must be performed by qualified personnel in compliance with regulation of each country. Avant de manipuler l'intérieur du dispositif, celui-ci doit être déconnecté du réseau électrique.

Les raccordements erronés peuvent endommager le circuit électrique. Pour l'installation électrique, il est essentiel d'utiliser un interrupteur différentiel à haute sensibilité: I = Δn 30 mA (classe A ou AC). Il est essentiel d'utiliser un disjoncteur magnéto thermique ajusté à la consommation du moteur.

Le fabricant toute responsabilité en cas de dommages causés par un mauvais branchement électrique.

Vérifiez que l'alimentation électrique se situe entre 230 et 400 V. Si vous disposez de la version sans câbles, suivez les indications du schéma B :


- Utiliser des câbles H07RN-F 4G1 ou 4G1,5, en fonction de la puissance installée.
- Connectez U, V, W et ⊕ au moteur.
- Connectez L1, L2, L3, N et ⊕ au réseau.
- Le conducteur de terre doit être plus long que les autres. Il devra être raccordé à la borne en premier au cours de la procédure de connexion et il faudra le débrancher en dernier lors de la déconnexion. **Les connexions de mise à la terre sont obligatoires !**

7. INTERFACE UTILISATEUR (Schéma C)

Le tableau suivant résume la signification et la fonction des différents éléments de l'interface utilisateur où :

- O signifie que le témoin est éteint.
- ((O)) signifie clignotement lent.
- (((O))) signifie clignotement rapides.

AFFICHAGE	ACTION
MODE FONCTIONNEMENT	Indique la pression instantanée ou le courant instantané consommé
MODE RÉGLAGE	Indique la pression de mise en marche clignotant. Indique la pression d'arrêt clignotant. Indique l'intensité nominale blinking.
MODE ALARME	Indique le code d'alarme
MODE BAS CONSOMMATION	Indique 3 points intemittent.
CONFIGURATION DE BASE	Indique les paramètres de configuration de base
CONFIGURATION AVANCÉE	Indique les paramètres avancés de configuration

TÉMOINS	ÉTAT	ACTION
bar	O	Indique la pression instantanée en bar
	((O))	Indique la pression instantanée en bar + pompe en marche
psi	O	Indique la pression instantanée en psi
	((O))	Indique la pression instantanée en psi + pompe en marche
A	O	Indique le courant instantané en ampères
	((O))	Pompe ON
START	O	Affichage de la pression de mise en marche
	((O))	Réglage de la pression de mise en marche
STOP	O	Affichage de la pression d'arrêt
	((O))	Réglage de la pression d'arrêt
	O	Alarme absence d'eau ou surintensité définitive.
	((O))	Alarme absence d'eau avec ART activé ou surintensité en procédant à des tentatives de rétablissement.
	(((O)))	Alarme cycles rapides
V	O	Il indique la consommation de tension instantanée en unités de tension

BOUTONS	PULSATION	ACCTION
	click!	Sur ON : dispositif OFF. À l'état OFF : le dispositif se met en marche et la pompe s'active jusqu'à Pstop. A n'importe quel mode de configuration : validez la valeur saisie.
	maintenue	Sur ON : dispositif OFF. Sur OFF : le dispositif reste en marche jusqu'à ce que le bouton soit relâché.
	click!	Pstart apparaît pendant 3 secondes. 3"
	3"	L'écran de configuration de Pstart.
	click!	Pstop apparaît pendant 3 secondes. 3"
	3"	L'écran de configuration de Pstart. apparaît.
	click!	L'écran du courant instantané consommé apparaît. Si celui-ci est encore affichée, il faut de nouveau regarder la pression.
	3"	L'écran de saisie du courant nominal maximal de la pompe apparaît.
	click!	L'écran du tension consommé apparaît. Si celui-ci est encore affichée, il faut de nouveau regarder la pression.
	3"	Réglez la tension nominale entre différentes options: 110V, 125V, 220V, 230V, 380V, 400V.

8. MISE EN MARCHÉ (Schéma C)

Avant de mettre le dispositif en marche, il faut consulter les paragraphes précédents, notamment « Installation hydraulique » et « Raccordement électrique ».
La mise en marche de base consiste à :

- Régler la tension d'alimentation
 - Appuyez sur pendant 3 secondes.
 - La valeur de tension est affichée à l'écran, la LED V s'allume et l'affichage clignote.
 - Les touches et permettent de régler la tension nominale indiquée sur la plaque signalétique. Cf. Remarque 1.
 - Appuyez sur pour valider.
- Saisissez l'intensité nominale de la pompe :
 - Appuyez sur pendant 3 secondes.
 - La consigne de courant apparaît à l'écran. L'écran clignote et le témoin A s'éclaire.
 - Les touches et permettent de régler l'intensité nominale indiquée sur la plaque signalétique. Cf. Remarque 2.
 - Appuyez sur pour valider.
- Mettre en marche le dispositif en appuyant sur .
- Saisir la pression de mise en marche :
 - Appuyez sur pendant 3 secondes.
 - La pression de mise en marche apparaît à l'écran. L'écran clignote et le témoin START s'éclaire.
 - Les touches et permettent de régler la pression de mise en marche de 0,5 à 11,5 bar.
 - Appuyez sur pour valider.
- Saisissez la pression d'arrêt :
 - Appuyez sur pendant 3 secondes.
 - La pression de mise en marche apparaît à l'écran. L'écran clignote et le témoin STOP s'éclaire.
 - Les touches et permettent de régler la pression d'arrêt de 1 à 8 bar (+ version=12 bar).
 - Appuyez sur pour valider.
- Le dispositif est configuré. Toutefois, il existe plusieurs possibilités de réglages à réaliser depuis les menus de programmation de base et avancé. Référez-vous au chapitre suivant.

Remarque 1 : il est important de saisir le courant nominal exact indiqué sur la plaque signalétique de la pompe.

Remarque 2 : il est important d'introduire exactement le courant nominal indiqué sur la plaque signalétique de la pompe.

9. MENU DE PROGRAMMATION DE BASE +

- Appuyez sur et pendant 5 secondes.
- Les valeurs se modifient à l'aide des touches ou .
- Appuyez sur pour valider et passer à l'étape suivante.
- La séquence de paramètres est la suivante :

it	TYPE		RÉACTION DU SYSTÈME	PAR DÉFAUT
1	BAR	P	Permet de sélectionner les unités de la pression entre bar et psi.	bar
2	rc0	rc2	Alarme de cycles rapides: - rc0 désactivé. - rc1 alarme active et il est provoquée un délai dans le démarrage de la pompe pour sa protection. - rc2 alarme active et ferme la pompe quand elle est détecté.	rc2
2.1	r.01	r.99	Uniquement si, à l'étape précédente, l'alarme de cycles rapides (rc1&rc2) a été activée, alors nous pouvons sélectionner la durée en secondes du période entre trois consécutifs démarrages qui sera considéré comme "cyclage rapide". Ce période sera compris entre 1" et 99".	3 secondes
3	Sb0	Sb1	Permet d'activer le mode veille de l'écran (Sb1) ou de le désactiver (Sb0) pour économiser de l'énergie.	Sb0

10. MENU DE PROGRAMMATION AVANCÉ + +

- Appuyez sur + + pendant 5 secondes.
- Les valeurs se modifient à l'aide des touches ou .
- Appuyez sur pour valider et passer à l'étape suivante.
- La séquence de paramètres est la suivante :

it	TYPE		RÉACTION DU SYSTÈME	PAR DÉFAUT
1	nc	no	Permet de sélectionner le type de marche en tant que manostat conventionnel (non = normalement fermé) ou inversé (non = normalement ouvert). *voir remarque 3	nc
2	E00	E01 E02	Il permet de sélectionner la modalité de fonctionnement: mode individuel (E00), mode MASTER(E01), mode SLAVE (E02).	E00
2.1	d.05	d.1	Il permet d'établir un écart entre le Pstart 1 et le Pstart 2 et entre le Pstop1 et le Pstop 2.	d.05
3	ct0	ct9	Permet de définir un retard entre 0 et 9 secondes lors de la connexion. (Non disponible en mode synchronisé).	ct0
4	dt0	dt9	Permet de définir un retard entre 0 et 9 secondes lors de la déconnexion.	dt0
5	AE1	AE0 AE2	AE1 : l'alarme de marche à sec (A01) par lecture du courant consommé est activée. AE0 : l'alarme de marche à sec (A01) par lecture du courant consommé est désactivée. AE2 : l'alarme marche à sec est activée quand il est détecté une consommation de courant 40% inférieure à la valeur nominale.	AE1
6	Ar0	Ar1	Permet d'activer le système de réarmement régulier automatique ART (Art) ou de le désactiver (Ar0).	Ar0
7	P0.0	Px.x	Permet de définir une pression minimale de travail en-dessous de laquelle le dispositif détecte une absence d'eau.	0 bar 0 psi
7.1	t05	t99	Permet de définir la durée entre 5 et 99 secondes en-dessous de la pression minimale de travail qui entrainera le déclenchement d'une alarme pour absence d'eau.	20"
8	c10	c30	Il permet de définir un% du courant nominal au-dessus duquel l'appareil activera la protection contre les surintensités	c20
9	H00	H99	Réglage de la minuterie d'inondation. La pompe s'arrête si le temps précédemment configuré (en minutes) de fonctionnement ininterrompu est dépassé. Déconnecté (H00), 1 minute (H01), 99 minutes (H99).	H00
10	rS0	rS1	En passant de rS0 à rS1 et en appuyant sur ENTER les réglages d'usine sont restaurés.	rS0

Remarque 3:

La sélection «no» (normalement ouvert), nous permet de placer le dispositif comme un élément auxiliaire de contrôle de la pression au côté de l'aspiration de la pompe. La pompe va se mettre en marche quand la pression d'aspiration arrive à P start.

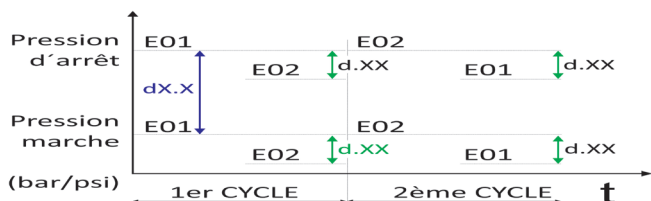
Exemple: - PStop: 0,9 bar
- PStart: 1,2 bar

11. SYNCHRONISATION

Le SWITCHMATIC 2T peut travailler synchronisé avec un autre dispositif SWITCHMATIC 2T contrôlant et tout en protégeant 2 pompes qui fonctionnent en cascade et séquence alternée.

1. ALLEZ AU MENU AVANCÉ : appuyez sur les touches ▲ + ▼ + ●
- Dans l'étape 2 sélectionner E01 pour l'appareil MASTER et E02 pour l'appareil SLAVE.
- Dans l'étape 3 sélectionner paramétrage identique d'écart d.XX pour les deux appareils (décalage entre les pressions de démarrage de la pompe principale et auxiliaire, il est aussi le décalage entre les pressions d'arrêt)

$\text{Différentiel (dX.X)} = P_{\text{stop}} - P_{\text{start}} \geq 1 \text{ bar}$
 $\text{Écart (d.XX)} = P_{\text{stop1}} - P_{\text{stop2}} = P_{\text{start1}} - P_{\text{start2}}$



2. Appuyez plusieurs fois sur la touche ● jusqu'à sortir du MENU AVANCÉ.
 3. PARAMÉTRAGE IDENTIQUE de pression de mise en marche et d'arrêt pour les deux appareils.
- Pour assurer le fonctionnement optimal de la synchronisation, la différence entre les pressions de mise en marche et arrêt doit être minimum d'1 bar.**
4. Appuyez ● aux deux appareils pour les désactiver. L'écran affiche "OFF"
 5. Appuyez ● une autre fois aux deux appareils pour activer la mise en marche et la synchronisation.

Remarque 4 : après 10 cycles de fonctionnement, le switchmatic configuré comme E01 affichera la pression et le switchmatic configuré comme E02 affichera ampères sur l'écran.

12. ÉTALONNAGE DU CAPTEUR DE PRESSION

En cas d'une lecture erronée du capteur de pression il est possible réaliser réétalonnage. Il faudra avoir un manomètre de référence dans l'installation. Suivre les suivantes étapes :

ÉTALONNAGE DU POINT ZÉRO

1. Appuyez sur ENTER ● pour déconnecter l'appareil. Il sera affiché OFF.
2. Ouvrir les robinets pour mettre hors pression l'installation.
3. Appuyer simultanément les touches ● et ▲ jusqu'à ce que l'écran affiche 0,0 clignotant.
4. Appuyer ● pour valider

PLEINE ÉCHELLE

1. Démarrez la pompe en appuyant sur la touche ●, pour arriver à la pression d'arrêt du switchmatic.
2. Appuyer simultanément sur les deux touches ● et ▼ jusqu'à ce que l'écran commence à clignoter.
3. Ajustez les valeurs de la pression avec les touches ▲ et ▼ pour indiquer la pression correcte.
4. Appuyer ● pour valider

Remarque 5: l'étalonnage répétitif du capteur de pression n'est pas une chose normale. Si tel est le cas, contacter avec le service technique


13. MENU DES DONNÉES OPÉRATIONNELLES ET ALARMES

▲ + ▼ + A

- Appuyez sur ▲ + ▼ + A pendant 5 secondes.
- Appuyez sur ● pour avancer dans le menu.
- La séquence de données est la suivante:

MESSAGE	DESCRIPTION	SCOPE
rEC		
HF xxx	Heures de fonctionnement du contrôleur.	0-65535
HP xxx	Heures de fonctionnement de la pompe.	0-65535
CF xxx	Cycles de fonctionnement Nombre de démarrages-arrêts.	0-999999
Cr xxx	Nombre de connexions au réseau électrique.	0-65535
A01 xxx	Nombre d'alarmes A01.	0-999
A02 xxx	Nombre d'alarmes A02.	0-999
A04 xxx	Nombre d'alarmes A04.	0-999
A05 xxx	Nombre d'alarmes A05.	0-999
A08 xxx	Nombre d'alarmes A08.	0-999
A09 xxx	Nombre d'alarmes A09.	0-999
A11 xxx	Nombre d'alarmes A11.	0-999
A27 xxx	Nombre d'alarmes A27.	0-999
APM xxx	Nombre d'alarmes de surpression (---).	0-999
rPM x.x	Pression maximale enregistrée.	
rSt	ENTER -> Sortir.	
▲ + ▼ -> Toutes les alarmes sont réinitialisées.		

14. AVERTISSEMENTS ET ALARMES

COD.		DESCRIPTION	RÉACTION DU SYSTÈME
	○		En cas de détection d'une absence d'eau, l'appareil s'arrête. La marche redémarre en appuyant sur ENTER.
A01	((○))	ABSENCE D'EAU	En cas de détection d'une absence d'eau avec le système de Réarmement automatique (ART) activé, une première tentative a lieu au bout de 5 minutes, puis toutes les 30 minutes pendant 24 heures, s'effectuent uniquement à vide. Cette alarme peut aussi être réinitialisée manuellement à l'aide du bouton ENTER. Si le système persiste au bout de 24 h, il s'agit d'une absence d'eau définitive.
A11	○	ABSENCE D'EAU (EN RAISON DE PRESSION MINIMALE)	Apparaît si, en fonctionnement normal, la pression est inférieure à la pression minimale (Px,x) prédéfinie pendant la durée (txx) préalablement défini dans le MENU AVANCÉ. Si, à tout moment, la pression dépasse la pression minimale, le fonctionnement est automatiquement restauré. La marche normale peut aussi être restaurée manuellement en appuyant sur ENTER.
A02	○ ((○))	SURINTENSITÉ	Une alarme de surintensité se déclenche si le courant nominal de la pompe est dépassé. Il y a 4 tentatives de rétablissement avant le déclenchement de l'alarme définitive. La marche normale peut aussi être restaurée manuellement en appuyant sur ENTER.
A04	((○))	CYCLES EXCESSIFS	L'alarme s'enclenche si trois cycles consécutifs se sont déroulés à un intervalle de temps (entre cycle et cycle) inférieur à celui configuré uniquement si l'alarme a été activée dans le MENU AVANCÉ. S'il est activé rc1, le dispositif ne s'arrête pas mais le retard de mise en marche est prolongé de 5 secondes pour protéger l'électropompe. S'il est activé rc2, la pompe est arrêtée. Pour que l'alarme n'apparaisse plus à l'écran, appuyez sur ENTER.
A05	○	TRANSDUC-TEUR PANNE	CONTACTEZ VOTRE FOURNISSEUR
A08	○ ((○))	SUR-TENSION	L'alarme de surtension est activée si la tension nominale sélectionnée est dépassée, laissant la pompe arrêtée. La pompe redémarre lorsque la tension se situe dans la plage de tension sélectionnée. Le fonctionnement normal peut également être restauré manuellement en appuyant sur la touche ENTER.
A09	○ ((○))	SOUS-TENSION	L'alarme de basse tension est activée si la tension est inférieure à la tension nominale, laissant cette dernière à l'arrêt. La pompe redémarre lorsque la tension se situe dans la plage de tension sélectionnée. Le fonctionnement normal peut également être restauré manuellement en appuyant sur ENTER.
A27	○ ((○))	COURTS-CIRCUITS	L'alarme de court-circuit se est activée si le courant nominal est dépassé de 40% en moins d'une seconde. Cela peut être dû à une perte de phase ou à un court-circuit dans le moteur. Ils sont effectuées 4 tentatives de réinitialisation automatique avant de passer à l'alarme finale. Le fonctionnement normal peut également être restauré manuellement en appuyant sur ENTER.

15. DÉCLARATION CE DE CONFORMITÉ

COELBO CONTROL SYSTEM, S.L.

Nous déclarons que les matériels désignés ci-dessous, sont conformes aux dispositions des suivantes directives européennes; 2014/35/EU, 2014/30/EU et 2011/65/EU.

Nom: - SWITCHMATIC 2T

Normes : EN-60730-2-6, EN-60730-1, EN-61000-6-1, EN-61000-6-3, IEC-60730-1, IEC-60730-2-6

F. Roldán Cazorla

Director Técnico

04/05/2016

COELBO CONTROL SYSTEM, S.L.

Ctr de Rubí, 288 - P.I. Can Guitard

08228 Terrassa - BARCELONA (SPAIN)

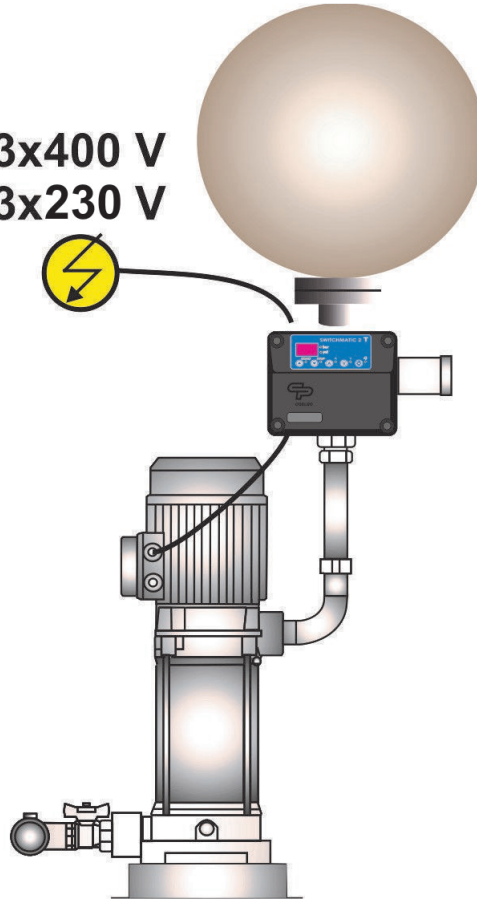
16. CLASSIFICATION ET TYPE

Selon les normes IEC 60730-1 et EN 60730-1, cet appareil est un dispositif de commande par capteur, électronique, de montage indépendant, programmation de classe A avec une action de type 1B (micro-déconnexion). Valeur de fonctionnement : I<30 %acquise. Niveau de pollution 2 (environnement propre). Tension assignée aux chocs : cat II / 2500V. Température pour essai de bille : enveloppe (75°C) et PCB (125°C).

DIAGRAMME A

INDIVIDUEL

~3x400 V
~3x230 V



GROUPE

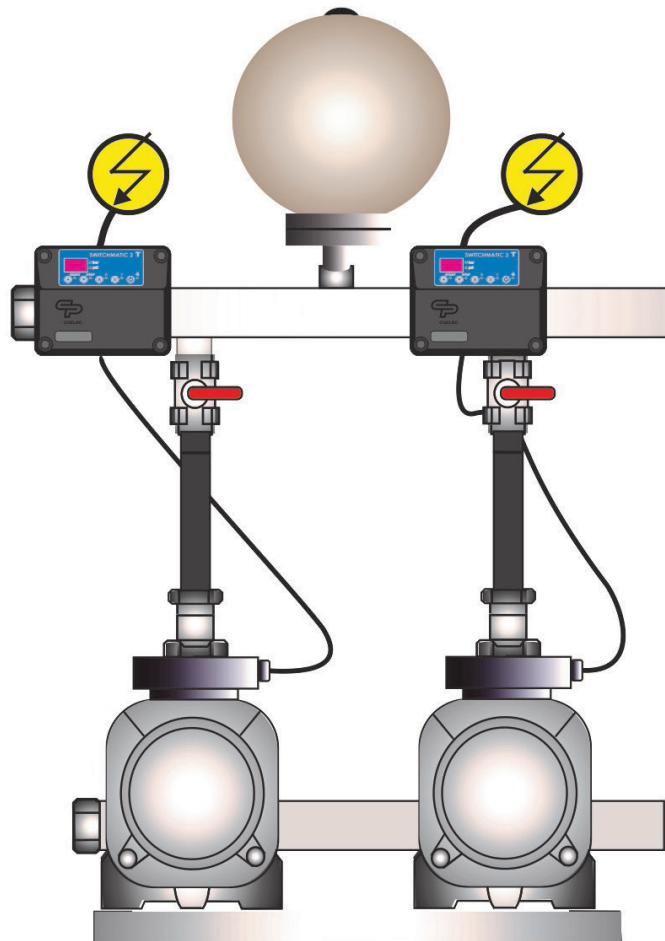


DIAGRAMME B

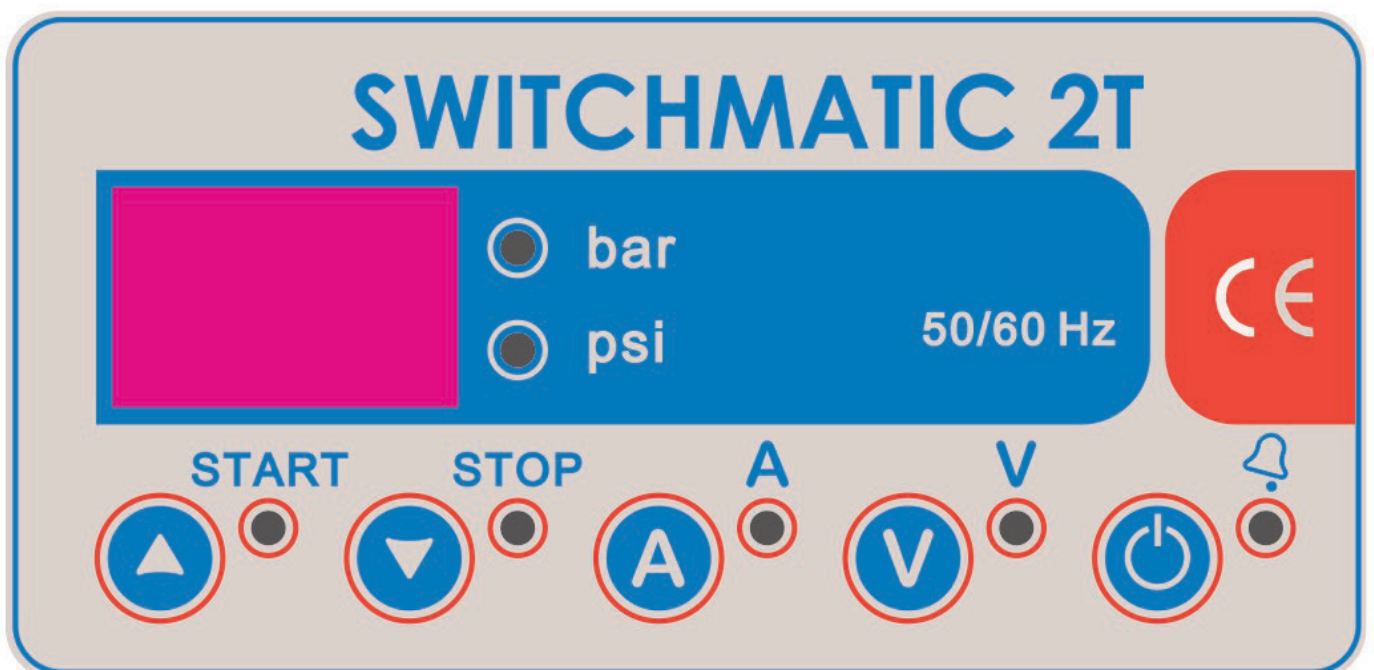
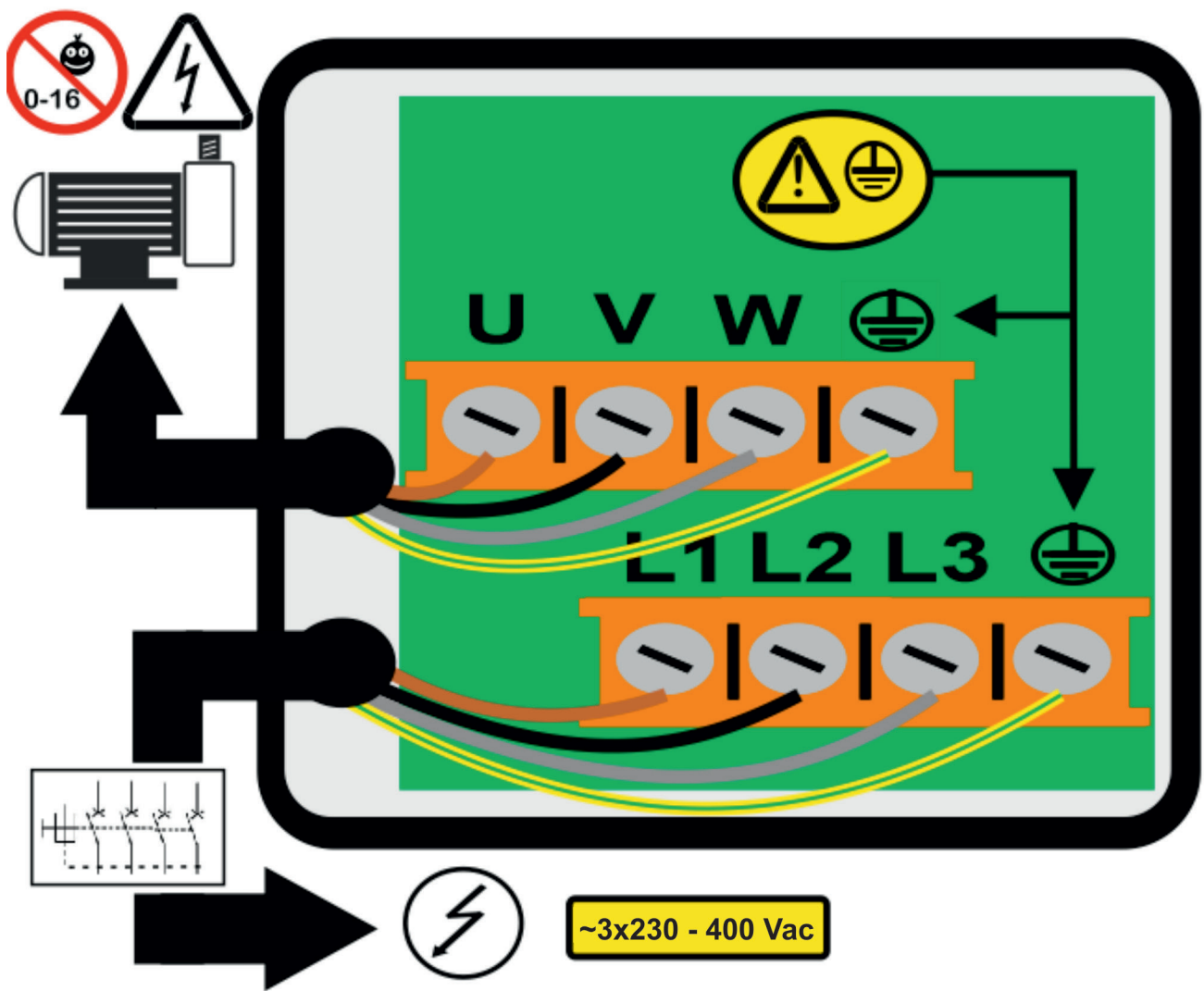
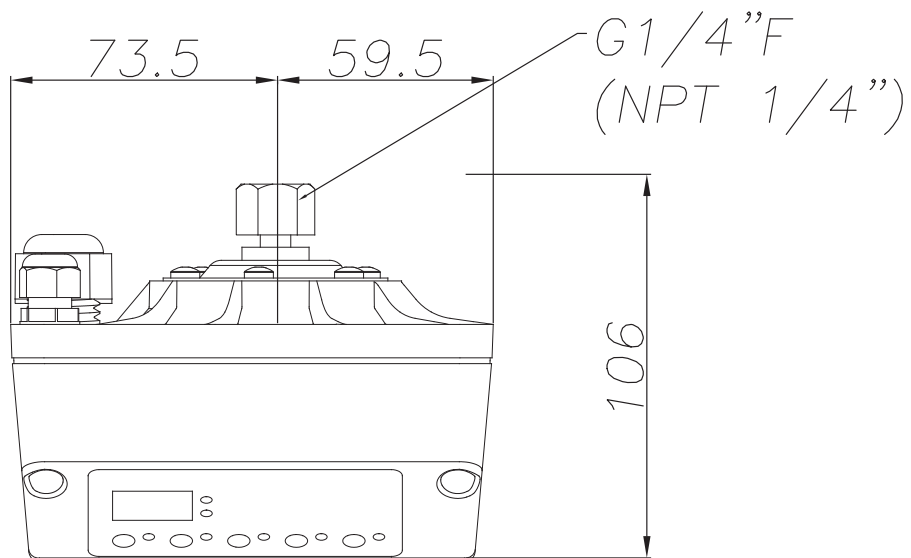
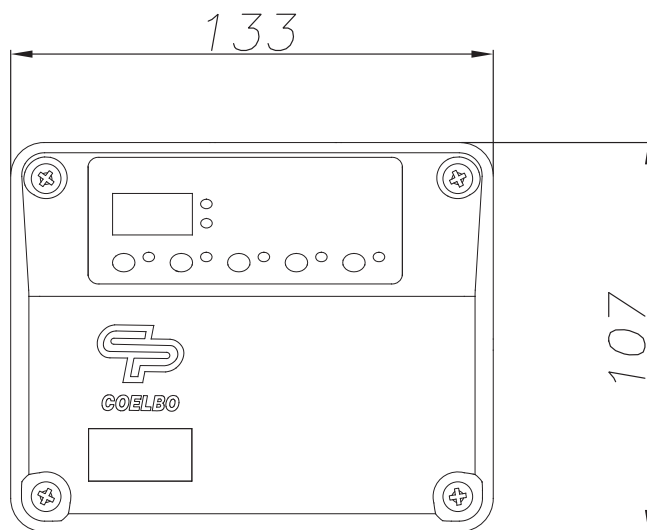


DIAGRAMME C



SWITCHMATIC 2T

IT



CONFIGURAZIONE AVANZATA



Rischio di danno al gruppo di pressione o all'impianto.



Rischio di scossa elettrica.



Rischio per le persone e/o per gli oggetti.

CE

1. INFORMAZIONE GENERALE

Leggere attentamente le istruzioni prima d'installare il dispositivo. Verificare la compatibilità delle caratteristiche tecniche del motore e dell'apparecchio.

2. DESCRIZIONE (diagramma A)

Il SWITCHMATIC 2T è un pressostato elettronico con manometro digitale integrato. Permette di gestire l'avviamento e l'arresto di una pompa trifase di fino a 4 kW (5,5 HP). La pressione è facilmente regolabile mediante il pannello di controllo di utilizzo.

Il cablaggio si fa di in modo analogo al del pressostato elettromeccanico tradizionale.

Può operare come un interruttore di pressione differenziale o di pressione inversa.

Il SWITCHMATIC 2T include la lettura di corrente consumata assorbita. Questo sistema brevettato, controlla e gestisce la sovrintensità, il funzionamento a secco, ed i cicli rapidi di funzionamento. Il SWITCHMATIC 2T oltre a tutte le caratteristiche di montaggio individuale include l'opzione per essere sincronizzato con un altro dispositivo SWITCHMATIC 2T gestendo e proteggendo 2 elettropompe, operando a cascata con funzionamento di sequenza d'avvio alternata.


3. CARATTERISTICHE DI FUNZIONAMENTO (diagramma C)

- Gestione di messa in marcia ed arresto regolabile.
- Manometro digitale integrato con lettura in bar e psi
- Trasduttore di pressione integrato.
- Protezione contro funzionamento a secco. Mediante corrente istantanea consumata.
- Protezione contro sovrintensità di corrente.
- Protezione contro sovracorrente
- Protezione contro basso voltaggio.
- Protezione da cortocircuito e perdita di fase.
- Funzione ART (AutomaticReset Test). Quando il dispositivo si trova sconnesso per l'intervento del sistema di protezione per mancanza d'acqua, l'ART prova, con una periodicità programmata, di connettere il dispositivo fino al ristabilimento dell'alimentazione d'acqua. Vedere "ART. Funzione reset automatico". Deve essere attivato nel punto 5 del MENU AVANZATO (Ar1).
- Avviso cicli rapidi: quando il serbatoio idropneumatico ha perso troppa aria ed in conseguenza, si producono frequenti messe in marcia ed arresti, si attiva questo avviso. Attivato (rc2).
- Pulsante manuale di riarmo (RESET).
- 3 tipi di operazioni (differenziale, inversato e sincronizzazione).
- Pannello di comandi e display numerico a 3 cifre, indicatori led luminosi e pulsanti.
- Possibilità di configurazione:
 - Modo stand-by.
 - Tempo minimo di cicli rapidi.
 - Ritardo di connessione ed sconnessione.

4. CARATTERISTICHE TECNICHE


- Potenza nominale della pompa: 4,4KW (5,5 HP)
- Alimentazione elettrica: ~3 x 230-400 Vac
- Uscita elettrica: ~3 x 230-400 Vac
- Pmax: 1,2 MPa
- Frequenza: 50/60Hz
- Corrente massima: 10 A
- Grado de protezione: IP55
- Temperatura massima dell'acqua: 40°C
- Temperatura ambiente massima: 50°C
- Massima umidità relativa: 80% (31°C)
50% (40°C)
- Pressione di messa in marcia: 0,5 ÷ 11,5 bar
- Range di fermata: 1 ÷ 12 bar
- Differenziale massimo (Pstop-Pstart): 11,5 bar
- Differenziale minimo (Pstop-Pstart): 0,5 bar
- Configurazione fabbrica (marcia/arresto): 3/4 bar
- Connessione rete idrica: G 1/4" F
Dado rotativo
- Peso netto (senza cavi): 0,654 kg

5. IMPIANTO IDRAULICO (diagramma A)

 Il SWITCHMATIC 2T deve essere filettato ad un manicotto de 1/4" G maschio all'uscita della pompa.

Prima di collegare il SWITCHMATIC 2T verificare che l'impianto idraulico stia montato correttamente, soprattutto che il serbatoio idropneumatico sia pressurizzato.

6. CONNESSIONE ELETTRICA (diagramma B)

 Il collegamento elettrico deve essere eseguito da persona qualificata in conformità con il regolamento di ciascun paese.

Prima di realizzare qualunque manipolazione nell'interno dell'apparecchio, questo deve essere sconnesso della rete elettrica. Per l'installazione elettrica è imprescindibile usare un interruttore differenziale ad alta sensibilità: I = Δn 30 mA (clase A o AC). È imprescindibile usare un magnetotermico adeguato al consumo del motore.

Le connessioni erronee possono danneggiare la scheda elettronica.

Il fabbricante non si fa responsabile dei danni causati per collegamenti erronei.

Verificare che l'alimentazione elettrica sia tra 230 - 400V.

Se ha acquistato la versione senza cavi, deve seguire le indicazioni del diagramma B:


- Usare cavi H07RN-F 4G1 o 4G1,5 in funzione della potenza stabilita.
- Connettere U, V, W e ⊕ al motore.
- Connettere L1, L2, L3 e ⊕ alla rete.
- Il conduttore messa a terra deve essere più lungo che gli altri. Sarà il primo a collegare durante la procedura di collegamento e l'ultimo ad scollegare durante la sconnessione. **Le connessioni del conduttore di terra sono obbligate.**

7. PANNELLO DI CONTROLLO (diagramma C)

La seguente tabella riassume il significato ed operativa dei diversi elementi pannello di controllo dove:

- O significa led acceso.
- ((O)) significa intermittenza lenta.
- (((O))) significa intermittenza rapida.

DISPLAY	AZIONE
MODO OPERAZIONE	Mostra pressione istantanea o corrente istantanea assorbita
MODO IMPOSTAZIONE	Mostra pressione d'avviamento intermittente. Mostra pressione d'arresto intermittente. Mostra intensità nominale intermittente
MODO ALLARME	Mostra il codice d'allarme
MODO BASSO CONSUMO	Mostra 3 punti lampeggianti
CONFIGURAZIONE DI BASE	Mostra i parametri di base della configurazione
CONFIGURAZIONE AVANZATA	Mostra i parametri avanzati di configurazione

LEDS	STATO	AZIONE
bar	O	Indica la pressione istantanea in bar
	((O))	Indica la pressione istantanea in bar + pompa avviata.
psi	O	Indica la pressione istantanea in psi
	((O))	Indica la pressione istantanea in psi + pompa in marcia.
A	O	Indica la corrente istantanea consumata in Ampere
	((O))	Pompa ON
START	O	Visualizzazione pressione di messa in marcia
	((O))	Aggiustando pressione di messa in marcia
STOP	O	Visualizzazione pressione d'arresto
	((O))	Aggiustando pressione d'arresto
	O	Allarme mancanza d'acqua o sovracorrente definitiva.
	((O))	Allarme mancanza d'acqua con ART attivato o sovracorrente realizzando tentativi di ripristino
	(((O)))	Allarme cicli rapidi
V	O	Indica il consumo istantaneo di tensione nelle unità di voltaggio.

PULSANTI	PERMUTA	AZIONE
	click!	Da stato ON: dispositivo OFF. Da stato OFF: il dispositivo si mette in marcia e si attiva la pompa fino Pstop. Da qualsiasi dei modi di configurazione: valida il valore introdotto.
	maintenance	Da stato ON: dispositivo OFF. Da stato OFF: il dispositivo rimane in marcia fino che si rilascia il pulsante
	click!	Visualizziamo Pstart durante 3 secondi.
	3"	Entriamo nella configurazione di Pstart.
	click!	Visualizziamo Pstop durante 3 secondi
	3"	Entriamo nella configurazione di Pstop.
	click!	Visualizziamo nel display la corrente istantanea consumata. Se stiamo già vedendola, torniamo a vedere la pressione.
	3"	Entriamo nella introduzione della corrente nominale massima della pompa.
	click!	Visualizzazione della tensione istantanea sullo schermo.
	3"	Impostiamo la tensione nominale tra le diverse opzioni: 110V, 125V, 220V, 230V 380V 400V.

8. MESSA IN MARCIA

Prima di mettere in marcia l'apparecchio leggere i punti precedenti, specialmente "Impianto Idraulico" e "Installazione Elettrica". La messa in marcia di base consiste in:

1. Nel modello SW2T introdurre la tensione nominale della pompa:

- Premere durante 3 secondi.
- Visualizziamo nello schermo intermittente la corrente nominale con il led V ON.
- Mediante i tasti e si aggiusta la tensione nominale segnata nella scheda delle caratteristiche. Vedere Nota 2.
- Premere per validare.

2. Nel modello SW2T introdurre l'intensità nominale della pompa:

- Premere durante 3 secondi.
- Visualizziamo nello schermo intermittente la corrente nominale con il led A ON.
- Mediante i tasti e si aggiusta l'intensità nominale segnata nella scheda delle caratteristiche. Vedere Nota 1.
- Premere per validare.

3. Mettere in marcia il dispositivo premendo .

4. Inserire pressione di messa in marcia:

- Premere durante 3 secondi.
- Visualizziamo nello schermo la pressione di avvio lampeggia e il led START ON.
- Mediante i tasti e si aggiusta la pressione di avvio da 0,5 a 11,5 bar
- Premere per validare.

5. Inserire pressione d'arresto:

- Premere durante 3 secondi.
- Visualizziamo nello schermo che la pressione di arresto lampeggia e il led STOP ON.
- Mediante i tasti e si aggiusta la pressione d'arresto da 1 a 12 bar
- Premere per validare.

6. El dispositivo rimane configurato, nonostante esistono multiple possibilità di aggiusti che si faranno mediante i menu di programmazione di base ed avanzato. Vedere il seguente capitolo.

Nota 1: è molto importante inserire esattamente la corrente nominale indicata nella targa delle caratteristiche della pompa.

Nota 2: è molto importante inserire esattamente la tensione nominale indicata nella targa delle caratteristiche della pompa.

9. MENU DI PROGRAMMAZIONE BASE +

- Premere + per 5 secondi.
- Mediante i tasti o si modificano i valori.
- Premere per confermare e passare al successivo.
- La sequenza dei parametri è come segue:

it	TIPO		REAZIONE DEL SISTEMA	PER DIFETTO
1	BAR	P	Permette di selezionare le unità in cui si visualizza la pressione tra bar e psi.	bar
2	rc0	rc1	Allarme di cicli rapidi: - rc0: disattivata. - rc1: allarme attivata, quando è rilevata si produce un ritardo nell'avviamento per proteggere la pompa. -rc2: allarme attivata, si ferma la pompa al rilevarla.	rc2
3	r.01	r.99	Solo se abbiamo attivato nel punto anteriore l'allarme di cicli rapidi (rc1&rc2), possiamo selezionare quale periodo di tempo tra 3 avviamenti consecutivi, in secondi, consideriamo come ciclo rapido tra "1" e "99".	3 secondi
4	Sb0	Sb1	Permette attivare il modo stand-by del display (Sb1) o disattivarlo (Sb0) per risparmiare energia.	Sb0

10. MENU DI PROGRAMMAZIONE AVANZATO + +

- Premere + + per 5 secondi.
- Mediante i tasti o si modificano i valori.
- Premere per confermare e passare al successivo
- La sequenza dei parametri è come segue:

it	TIPO		REAZIONE DEL SISTEMA	PER DIFETTO
1	nc	no	Permette di selezionare il tipo di funzionamento come pressostato convenzionale (nc = normalmente chiuso) o inversato (no = normalmente aperto). *vedi nota 3	nc
2	E00	E01 E02	Nel caso d'avere montaggio in gruppo permette definire modo individuale (E00), Master (E01) o Slave (E02)	E00
2.1	d.05	d.1	Permette di stabilire il divario tra Pstart 1 ed Pstart2 o Pstop1 e Pstop2.	d.05
3	ct0	ct9	Permette di impostare un ritardo tra 0 e 9 secondi alla connessione.(Non è disponibile nel modo sincronizzato).	ct0
4	dt0	dt9	Permette di impostare un ritardo tra 0 e 9 secondi alla sconnessione.	dt0
5	AE1	AE0 AE2	(Solo in Switchmatic 2) Selezionare AE0 per disabilitare l'allarme di funzionamento a secco in base al consumo di corrente. Per avere una protezione contro il funzionamento a secco, sarà necessario impostare il valore di pressione minima. Selezionare AE1 per abilitare l'allarme di marcia a secco con la modalità di autoapprendimento. In questa modalità, il SW2 apprenderà il consumo reale della pompa. Selezionare AE2 per abilitare l'allarme di marcia a secco senza la modalità di autoapprendimento. In questo caso, quando la pompa consuma un 40% in meno del valore impostato come corrente nominale, è attivata l'allarme di marcia a secco.	AE1
6	Ar0	Ar1	Permette attivare il sistema di riarmi periodici automatici ART (Ar1) o disattivarli (Ar0).	Ar0
7	P0.0	Px.x	Permette di impostare una pressione minima di lavoro per sotto la quale il dispositivo rileva una mancanza d'acqua.	0 bar 0 psi
7.1	t05	t99	Permette di impostare il periodo di tempo tra 5 e 99 secondi per sotto della pressione minima di lavoro che provocherebbe un' allarme per mancanza d'acqua .	20"
8	c10	c30	Permette di stabilire un % di corrente nominale per sopra del quale l'apparecchio attivarà la protezione per sovracorrente.	c20
9	H00	H99	Impostazione del timer di allagamento. La pompa si arresta se viene superato il tempo (in minuti) di funzionamento ininterrotto precedentemente configurato. Disconnesso (H00), 1 minuto (H01), 99 minuti (H99).	H00
10	rS0	rS1	Al passare di rS0 a rS1 e pulsare ENTER si ristabiliscono i parametri di fabbrica.	rS0

Nota 3:

Quando "no" (normalmente aperto) permette di collocare l'elemento ausiliario SW come controllo della pressione sul lato di aspirazione della pompa e fermarsi se non raggiunge il PStart. Si ripartirà quando la pressione di aspirazione raggiunge il PStart configurato.

Esempio:

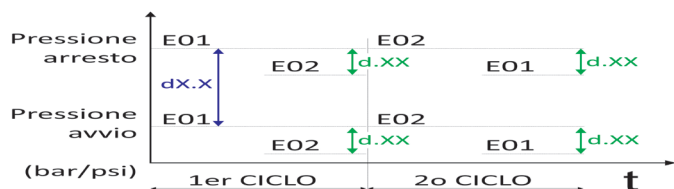
- PSTOP: 0,9 bar
- PStart: 1,2 bar

11. SINCRONIZZAZIONE

SWITCHMATIC 2T può essere sincronizzato con un altro SWITCHMATIC 2T gestendo e proteggendo due pompe operando a cascata con sequenza alternata d'avviamento. Passi da seguire per calibrare la sincronizzazione:

1. ANDARE A MENU AVANZATO: $\uparrow + \downarrow + \text{ENTER}$
 - Nel **punto 2**: selezionare E01 in una unità (questa sarà il MASTER) e E02 per l'altra unità (questa sarà lo SLAVE).
 - Nel **punto 3**: selezionare identico parametro di divario d.XX. È la differenza di pressioni di avviamento della pompa principale ed ausiliaria; è anche la differenza tra le pressioni di arresto di entrambe le due pompe.

Differenziale (dX.X) = Pstop - Pstart ≥ 1 bar
 Divario (d.XX) = Pstop1 - Pstop2 = Pstart1 - Pstart2



2. Premere ENTER ripetutamente fino uscire del MENU AVANZATO
3. Impostazione **identica** di pressione di avviamento e di taglio in ambe due unità.

Per un ottimo funzionamento della sincronizzazione, la differenza tra le pressioni d'avviamento e arresto deve essere minimo 1 bar.

4. Premere ENTER per disabilitare questa unità. Lo schermo segnerà "OFF"
5. Premere ENTER una altra volta in ambe due apparecchi per attivare la sincronizzazione.

Nota 4: Dopo di 10 cicli la unità configurata come E01 mostrerà pressione e la unità configurata come E02 mostrerà nello schermo gli amper.

12. CALIBRAZIONE DEL SENSORE DI PRESSIONE

Nel caso di lettura erronea per parte del sensore si può calibrare di nuovo.

Per la calibrazione del sensore è necessario avere installato un manometro. Passi da seguire:

CALIBRAZIONE DE LO ZERO

1. Premere ENTER ENTER per disconnettere il dispositivo. Sarà visualizzato OFF.
2. Aprire i rubinetti per avere l'installazione depressurizzata.
3. Premere simultaneamente i pulsanti ENTER e \uparrow fino che lo schermo mostri 0.0 lampeggiando.
4. Premere ENTER per validare.

FONDO SCALA

1. Avviare la pompa fino la pressione di taglio del pressostato.
2. Premere simultaneamente i pulsanti ENTER e \downarrow fino che lo schermo lampeggi.
3. Impostare i valori della pressione con i pulsanti $\uparrow \downarrow$ per indicare la pressione desiderata.
4. Premere ENTER per validare.


Nota 5: la staratura del sensore di pressione non deve essere una cosa normale. Se accade di forma ripetuta contattare con il servizio tecnico.

13. REGISTRI DELLE FUNZIONI E GLI ALLARMI $\uparrow + \downarrow + \text{A}$

- Premere simultaneamente $\uparrow + \downarrow + \text{A}$ per 5 secondi.
- Premere ENTER per passare al successivo.
- La sequenza di dati è la seguente:

MESSAGE	DESCRIPTION	SCOPE
rEC		
HF xxx	Ore di funzionamento del controllo.	0-65535
HP xxx	Ore di funzionamento della pompa.	0-65535
CF xxx	Cicli operativi. Numero di avviamenti-arresti.	0-999999
Cr xxx	Numero di connessioni alla rete elettrica.	0-65535
A01 xxx	Numero di allarmi A01.	0-999
A02 xxx	Numero di allarmi A02.	0-999
A04 xxx	Numero di allarmi A04.	0-999
A05 xxx	Numero di allarmi A05.	0-999
A08 xxx	Numero di allarmi A08.	0-999
A09 xxx	Numero di allarmi A09.	0-999
A11 xxx	Numero di allarmi A11.	0-999
A27 xxx	Numero di allarmi A27.	0-999
APM xxx	Numero di allarmi di sovrappressione (---).	0-999
rPM x.x	Pressione massima registrata.	
rSt	ENTER -> Uscire dal MENU.	
	$\uparrow + \downarrow$ -> Tutti gli allarmi vengono resettati.	

14. AVVERTENZE ED ALLARMI

COD.		DESCRIZIONE	REAZIONE DEL SISTEMA
	○		Al rilevarsi una mancanza d'acqua si arresta il dispositivo. Si riprende il funzionamento premendo ENTER
A01	○ ((O))	MANCANZA D'ACQUA	Al rilevarsi una mancanza d'acqua con il sistema di Riarmo Automatico (ART) attivato, si effettua un primo tentativo ai 5 minuti e posteriormente un tentativo ogni 30 minuti durante 24 ore. Questa allarme può anche essere resettata in modo manuale con il pulsante ENTER. Se il sistema persiste dopo 24 ore, ci troviamo davanti una mancanza d'acqua definitiva.
A11	○	MANCANZA D'ACQUA (PER PRESSIONE MINIMA)	Appare se in funzionamento normale la pressione è per sotto della pressione minima (Px.x)previamente impostata durante il tempo (txx) previamente impostato nel MENU AVANZATO. Se la pressione superasse la pressione minima il funzionamento si ristaura automaticamente. Il funzionamento normale può essere anche ristabilito manualmente premendo ENTER.
A02	○ ((O))	SOVRA-CORRENTE	Si produce allarme di sovracorrente se viene superata la corrente nominale della pompa. Si rializzano 4 tentativi automatici di ripristino prima di procederé all'allarme definitiva. Il funzionamento normale può essere anche ristabilito manualmente premendo ENTER.
A04	(((O)))	CICLI ECCES-SIVI	Solo se l'abbiamo attivato nel MENU AVANZATO, si attiva l'allarme quando si producono tre cicli consecutivi in un intervallo di tempo (Tra ciclo e ciclo) inferiore all'impostato. Se abbiamo attivato rc1, non si ferma il dispositivo, però si aggiungono 5 secondi al ritardo per avivamento per proteggere l'eletropompa. Se abbiamo attivato rc2, si ferma l'eletropompa. Per finire la visualizzazione sullo schermo degli allarmi premere ENTER.
A05	○	TRASDUTTORE GUASTO	CONTATTARE CON IL FORNITORE
A08	○ ((O))	SOVRA TENSIONE	Si produce allarme di sovratensione se viene superata la tensione nominale della pompa. Si rializzano 4 tentativi automatici di ripristino prima di procederé all'allarme definitiva. Il funzionamento normale può essere anche ristabilito manualmente premendo ENTER.
A09	○ ((O))	BASSO VOLTAGGIO	Si produce allarme di bassa tensione se la tensione della pompa è inferiore al minimo. Si fanno 4 tentativi di reset automatico prima dell'attivazione dell'allarme finale. Il funzionamento normale può essere ripristinato anche manualmente premendo ENTER.
A27	○ ((O))	CORTOCIR-CUITO	L'allarme di cortocircuito si verifica se la corrente nominale viene superata del 40% in meno di un secondo. Potrebbe essere dovuto a un'interruzione di fase o a un cortocircuito nel motore. Vengono effettuati 4 tentativi di ripristino automatico prima di procedere all'allarme finale. Il normale funzionamento può anche essere ripristinato manualmente premendo ENTER.

15. DICHIARAZIONE DI CONFORMITÀ CE

COELBO CONTROL SYSTEM, S.L.

Dichiaro, sotto la nostra responsabilità, che i materiali qui sotto sono conformi alle disposizioni delle seguenti direttive europee; 2014/35/EU, 2014/30/EU e 2011/65/EU.

Nome: - SWITCHMATIC 2T

Norme : EN-60730-2-6, EN-60730-1, EN-61000-6-1, EN-61000-6-3, IEC-60730-1, IEC-60730-2-6

F. Roldán Cazorla - Director Técnico (04/05/2016)

COELBO CONTROL SYSTEM, S.L.

Ctr de Rubí, 288 - P.I. Can Guitard
08228 Terrassa - BARCELONA (SPAIN)

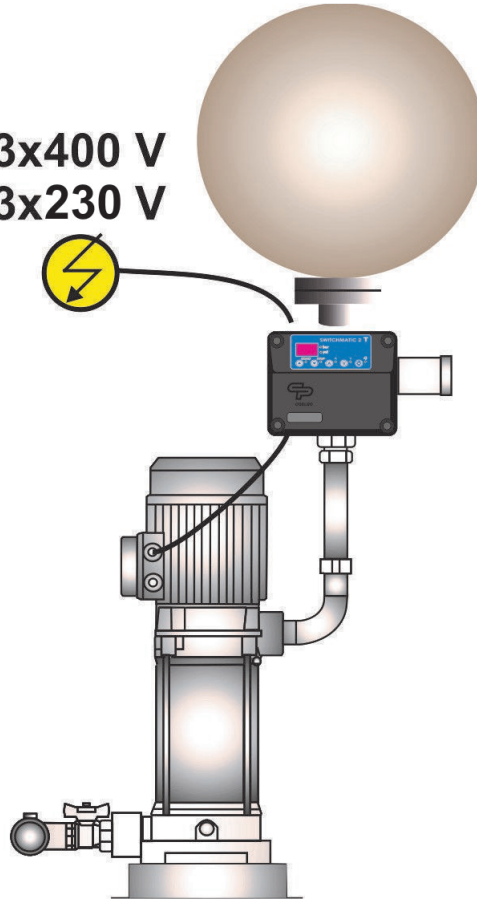
16. CLASSIFICAZIONE E TIPO

Secondo l'IEC 60730-1 e EN 60730-1 questo apparecchio è un dispositivo di controllo sensore, elettronico, di montaggio indipendente, programmazione classe A con azione di tipo 1B (acquisito). Valore di funzionamento: I<30%I acquista. Grado di inquinamento 2 (ambiente pulito). Tensione di impulso nominale: cat II / 2500V. Temperatura per il test di bolla: compresi (75°C) e PCB (125°C).

DIAGRAMMA A:

INDIVIDUALE

~3x400 V
~3x230 V



GRUPPO

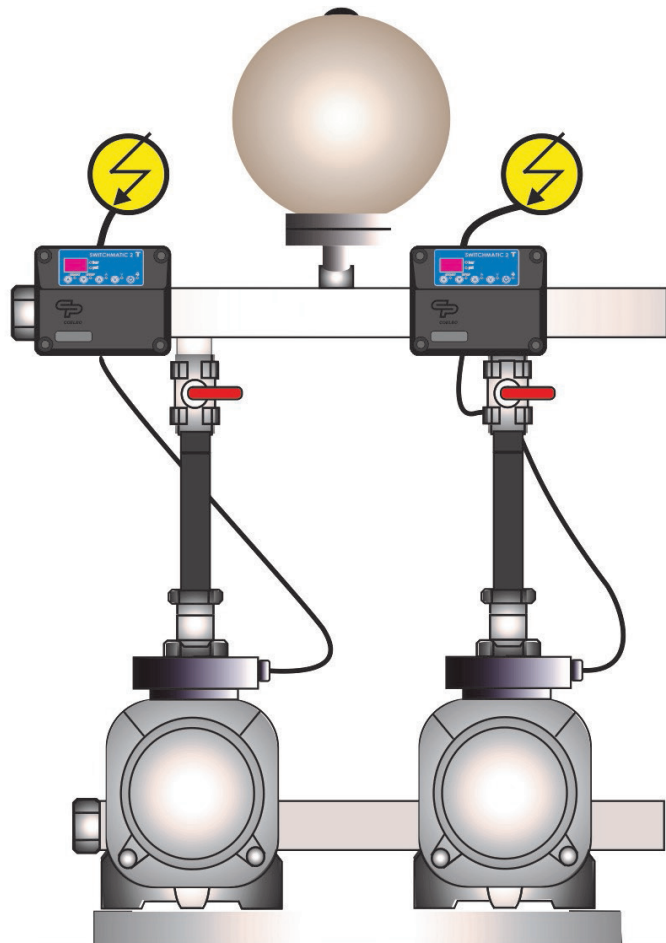


DIAGRAMMA B:

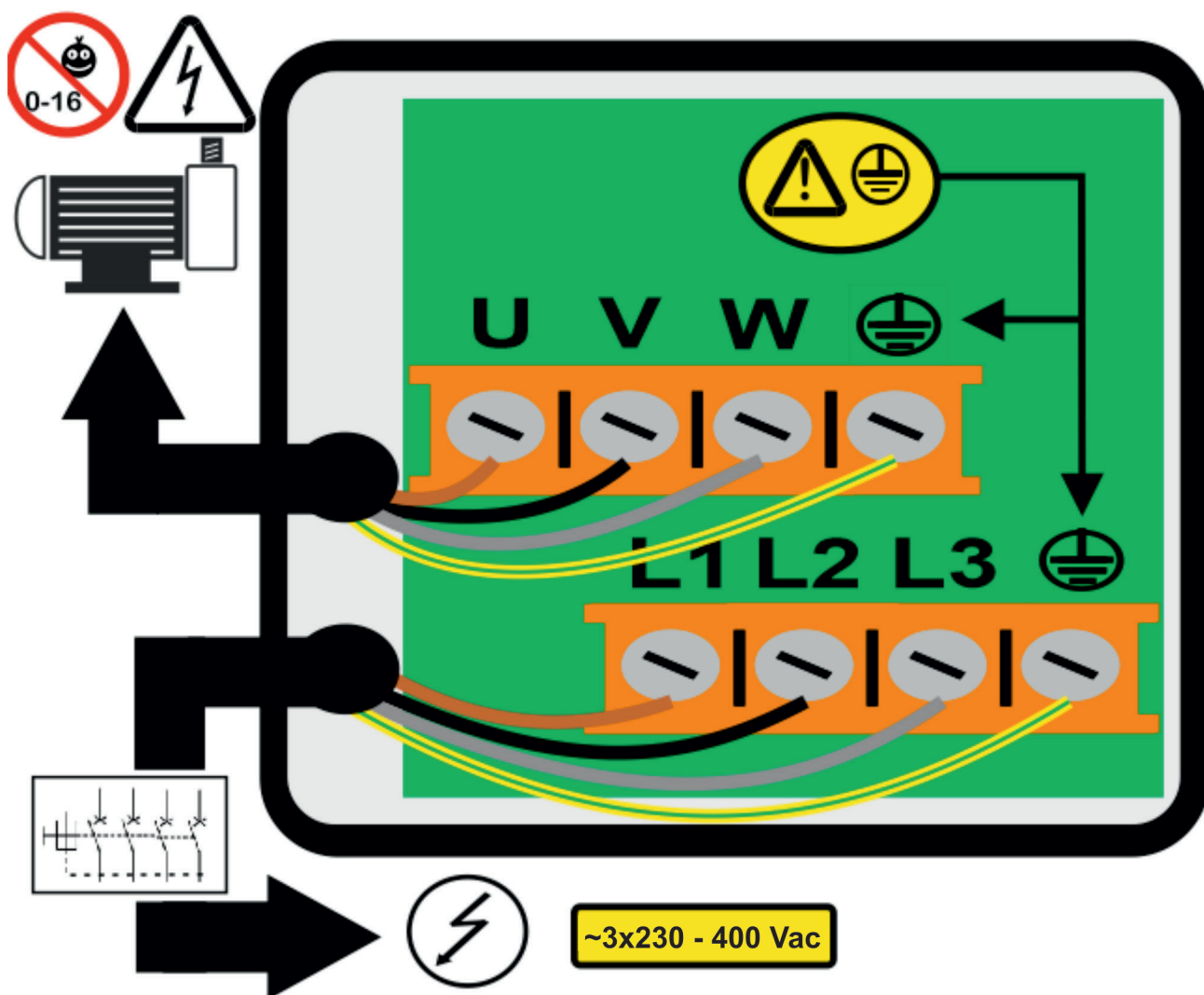
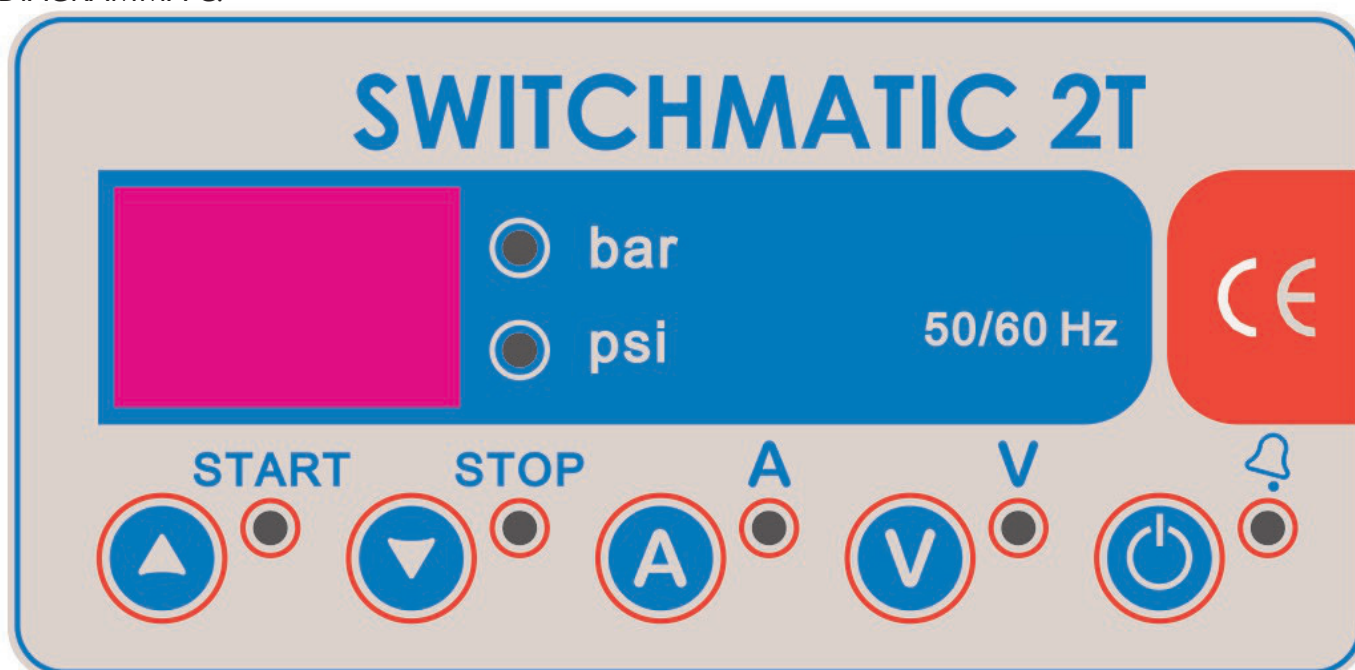


DIAGRAMMA C:



DIMENSIONI:

